



MOTION CONTROL EXPERT

- Rotary Damper
- Gas Spring
- Linear Damper
- Latch

Delight Your Consumers With Amazing Design

CONTENTS

1

Rotary Damper

- Partial Angle Damper
- Barrel Damper
- Gear Damper
- Others



2

Gas Spring

- Compression Gas Spring
- Lockable Gas Spring



3

Linear Damper

- Active Return Linear Damper
- Passive Return Linear Damper

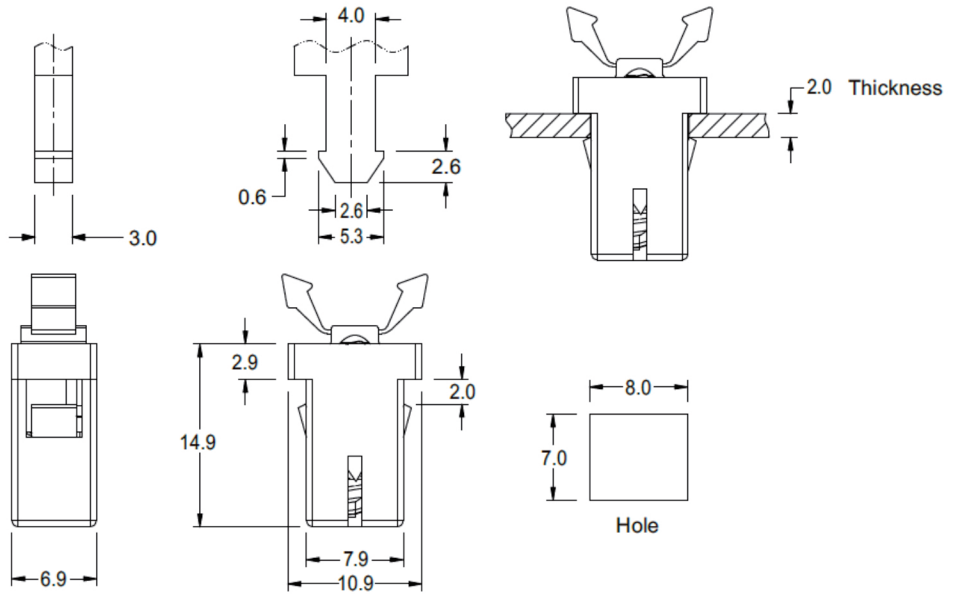


4

Latch



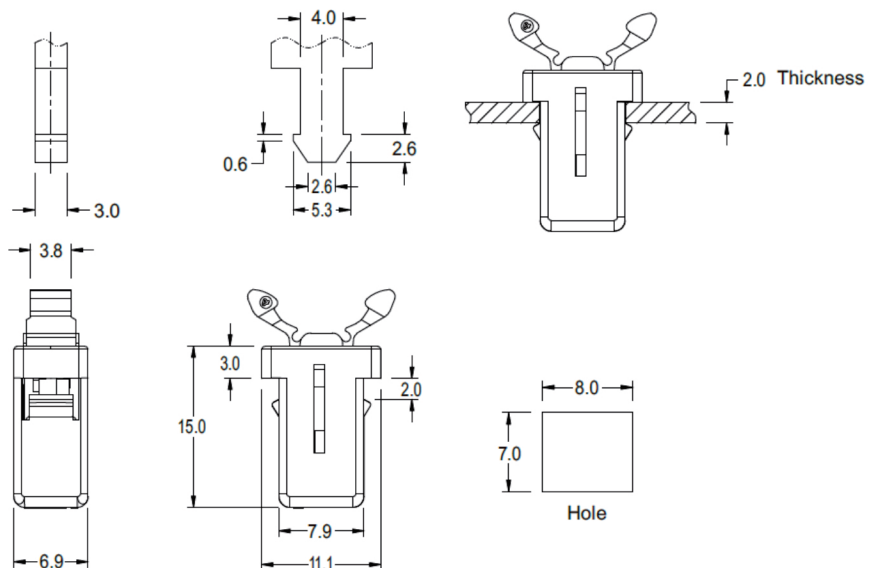
Model:PR-HL-1



Material

POM/ PA66/ SUS

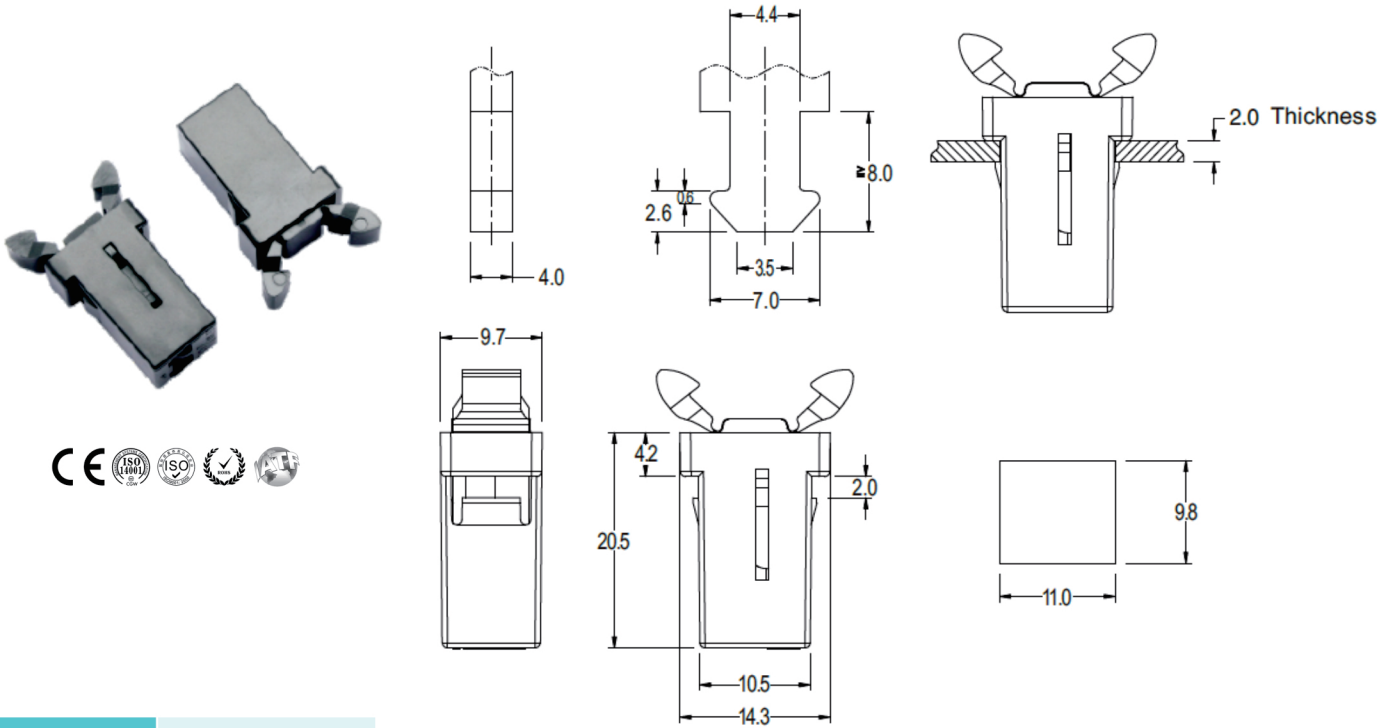
Model:PR-PL-2



Material

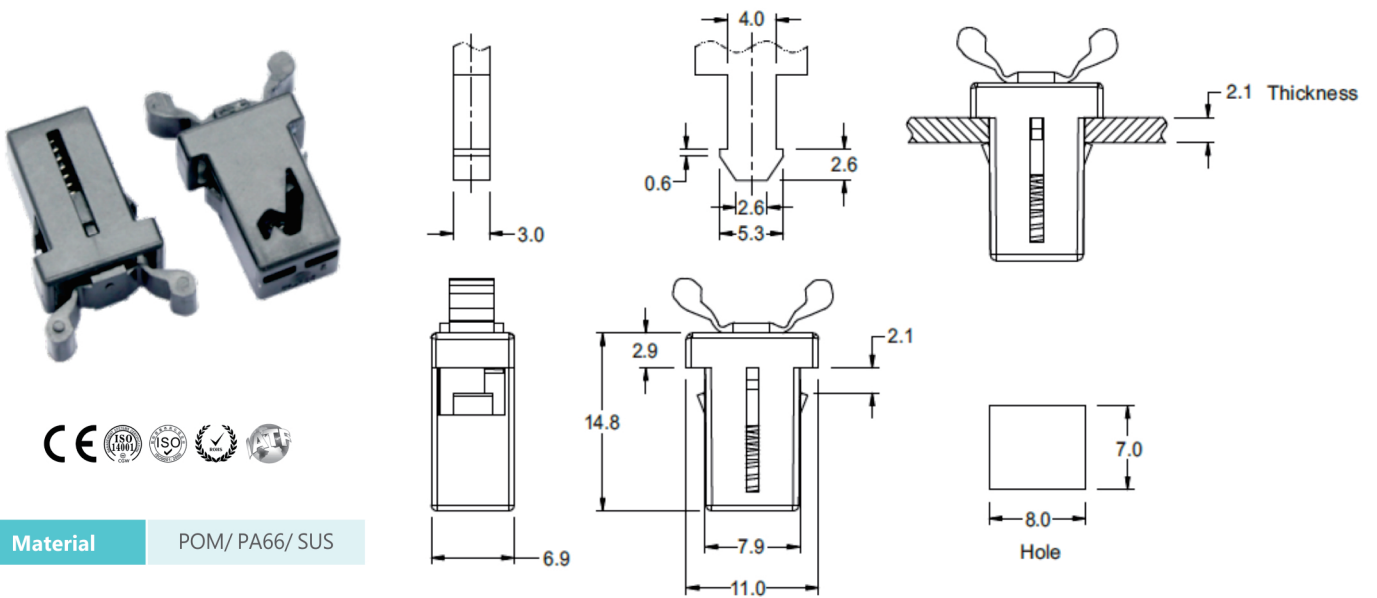
POM/ PA66/ SUS

Model:PR-DL-13



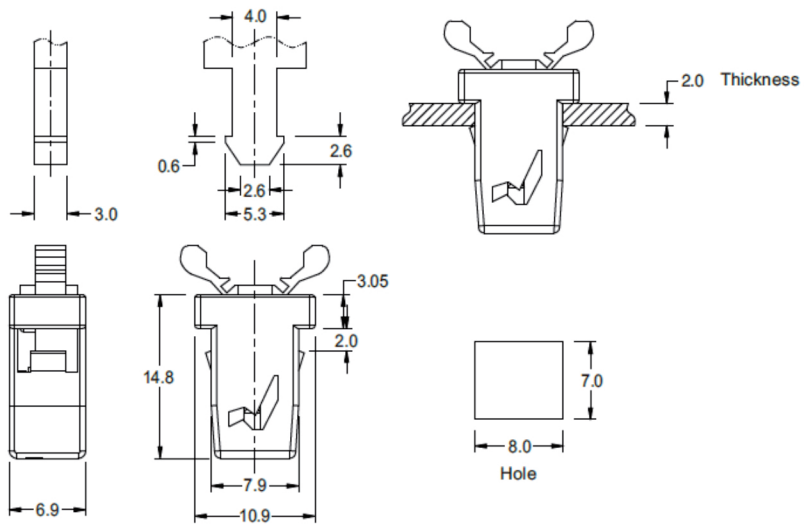
Material POM/ PA66/ SUS

Model:PR-DL-100



Material POM/ PA66/ SUS

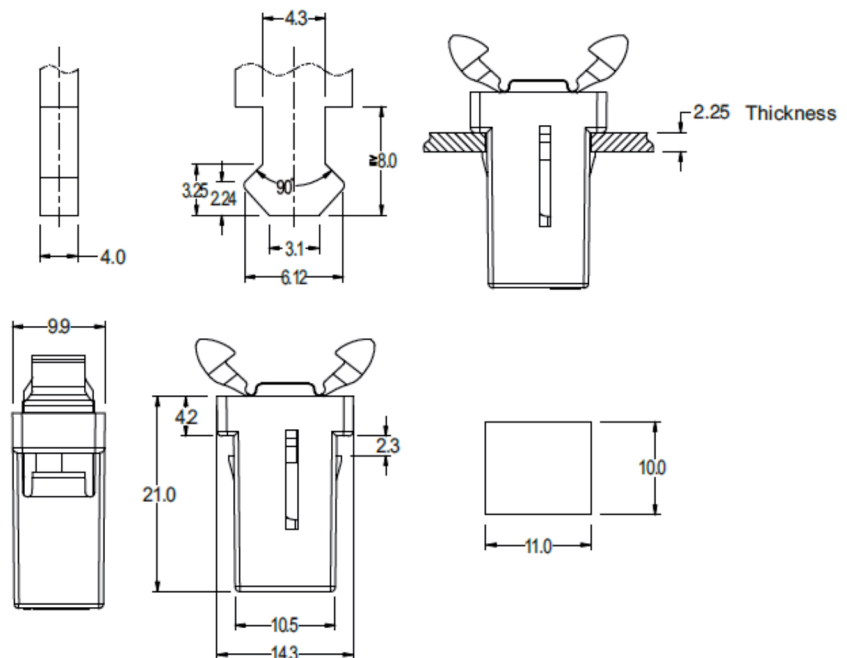
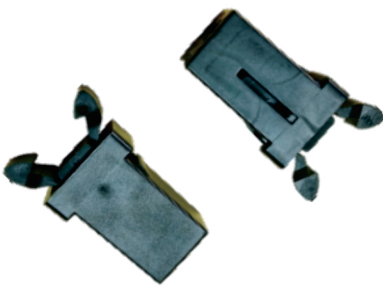
Model:PR-DL-400



Material

POM/ PA66/ SUS

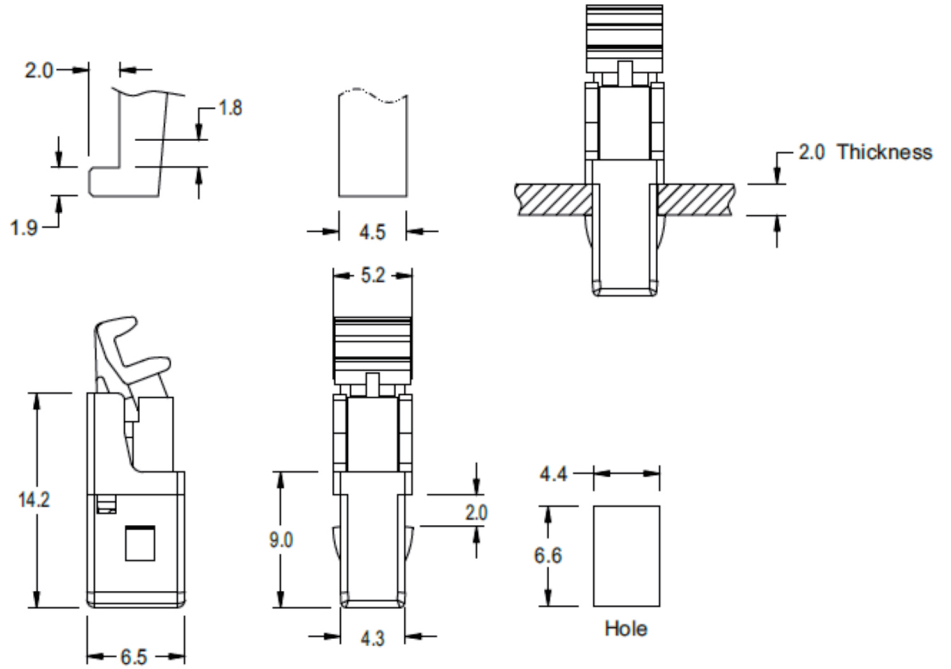
Model:PR-PL-17



Material

POM/ PA66/ SUS

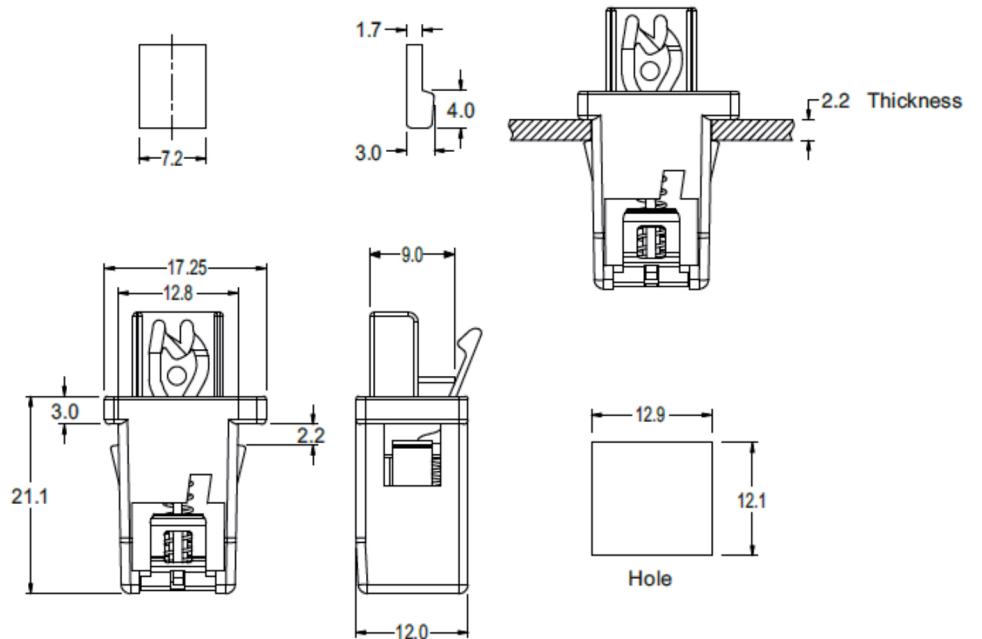
Model:PR-DL-5



Material

POM/ PA66/ SUS

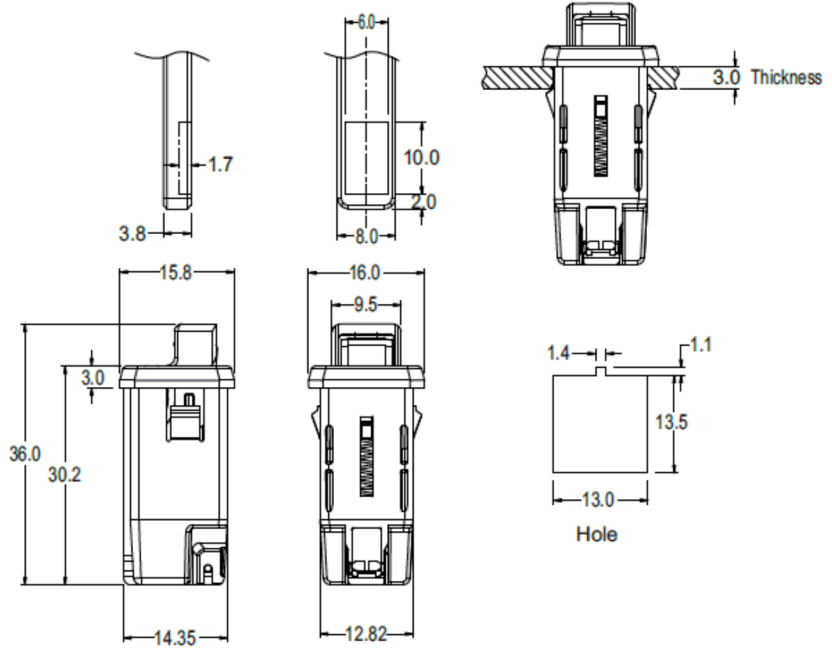
Model:PR-DL-8



Material

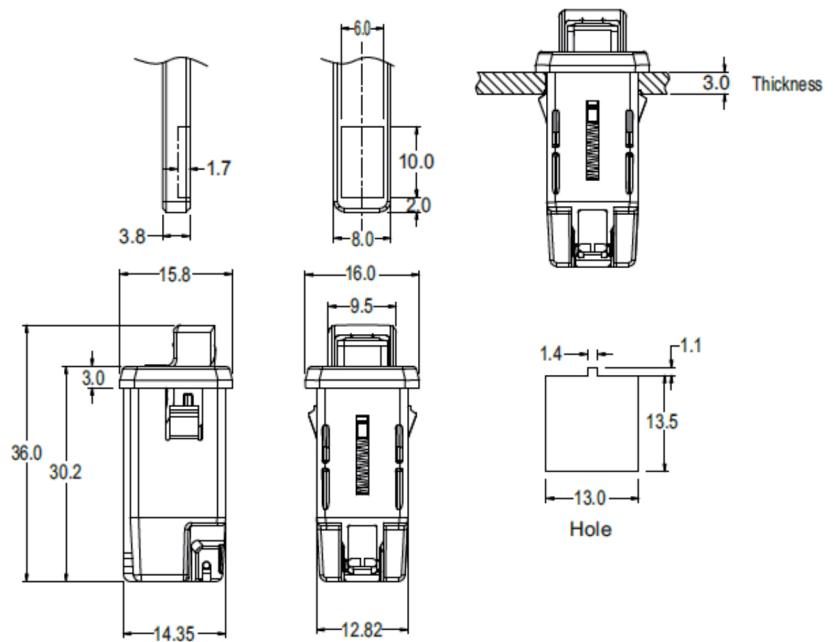
POM/ PA66/ SUS

Model:PR-DL-12



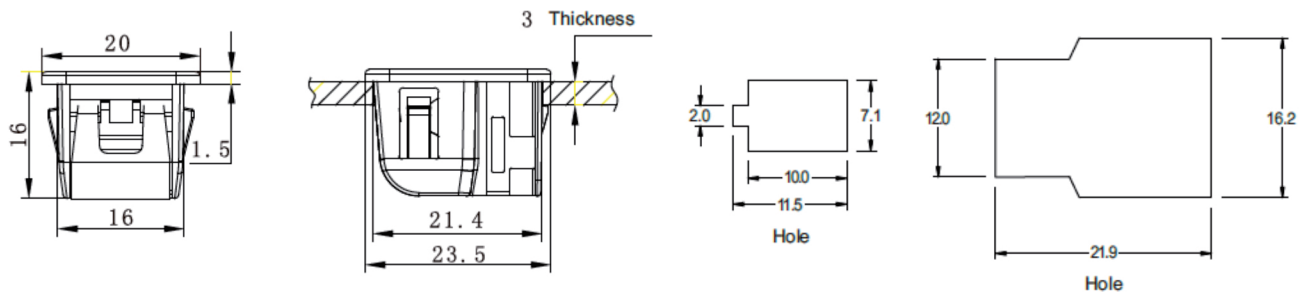
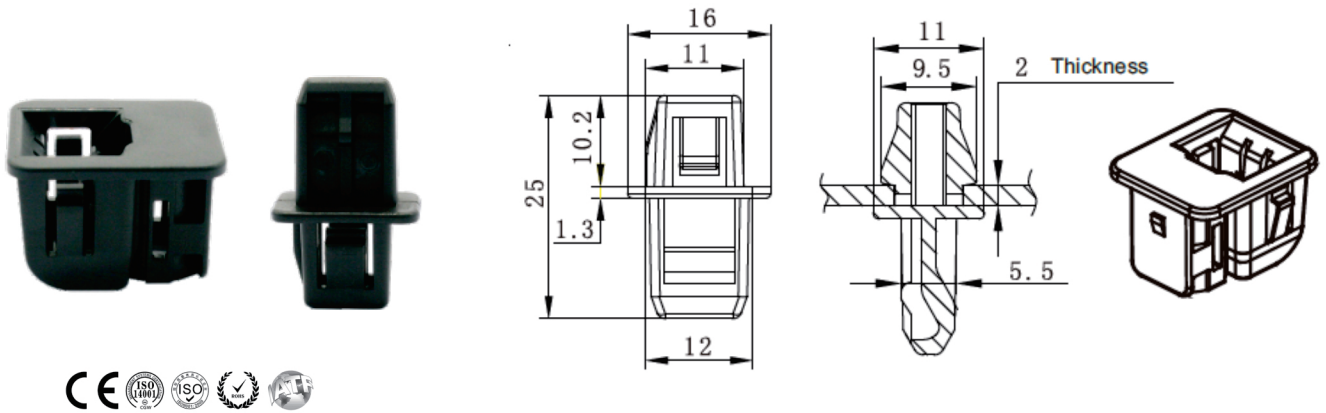
Material POM/ PA66/ SUS

Model:PR-DL-12A



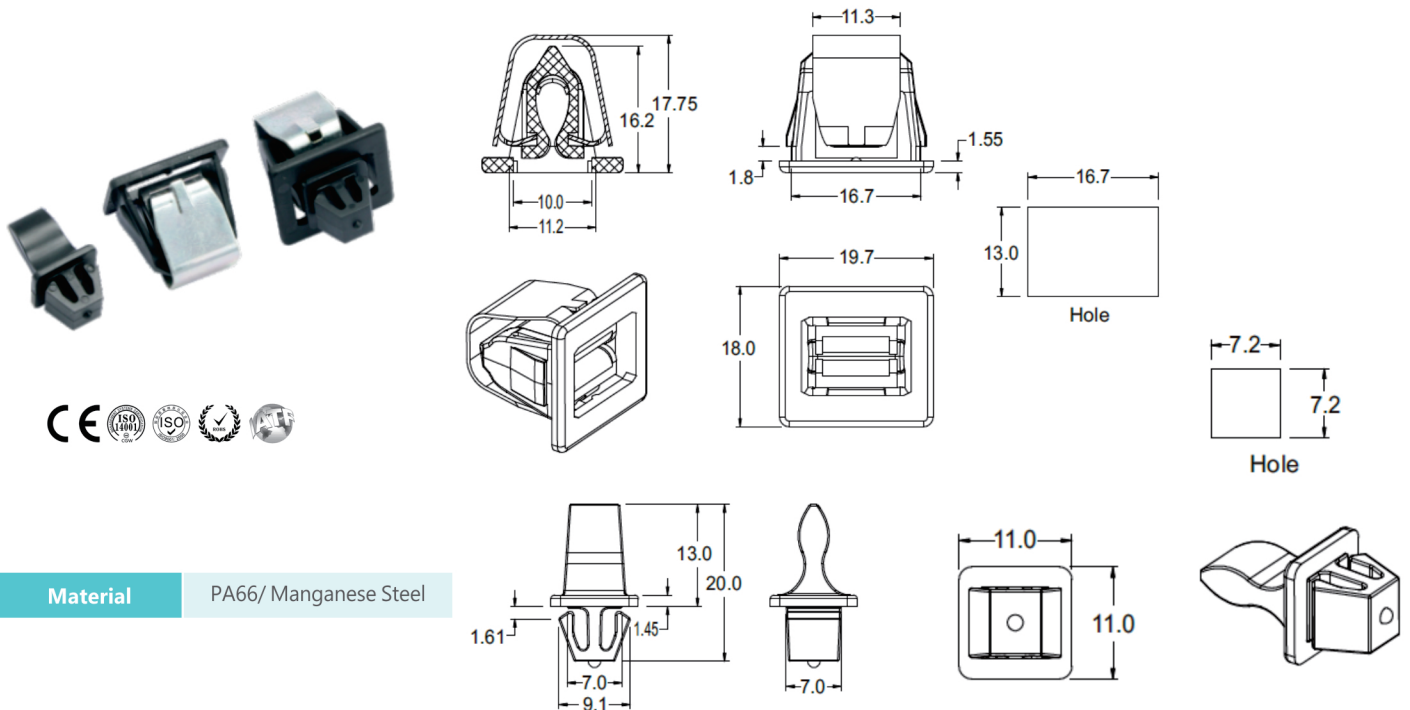
Material POM/ PA66/ SUS

Model:PR-DL-10



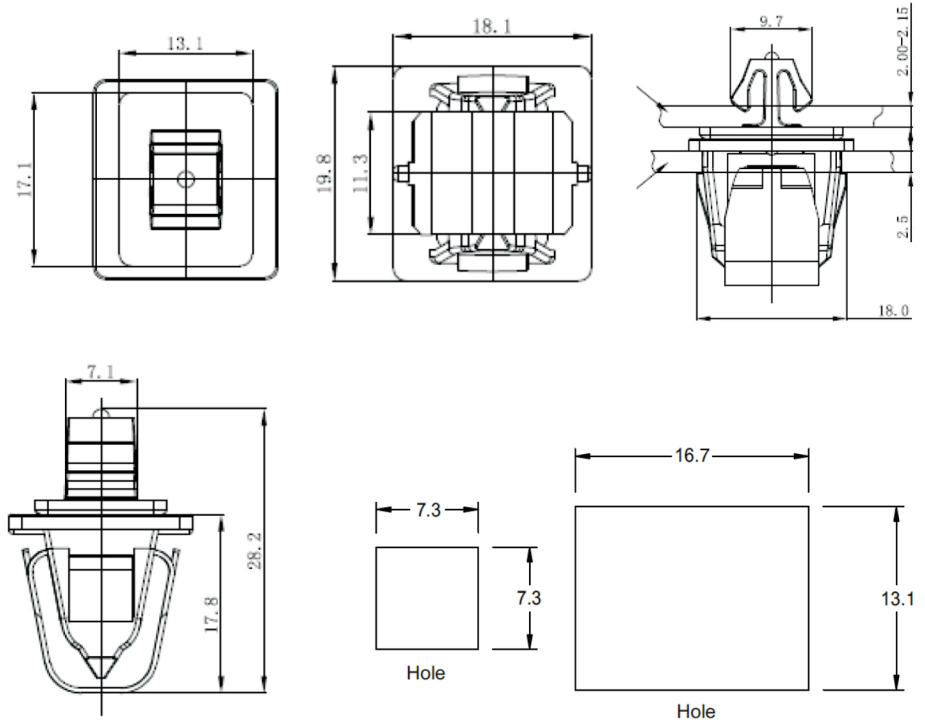
Material PC/ POM/ PA66/ SUS

Model:PR-HBX-01



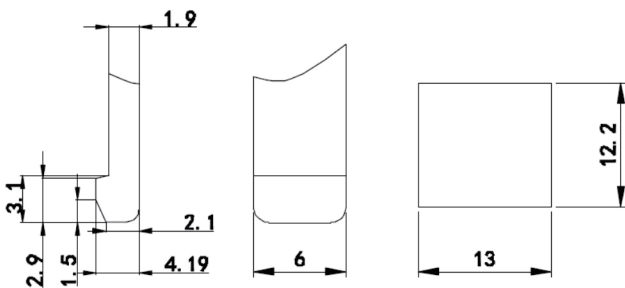
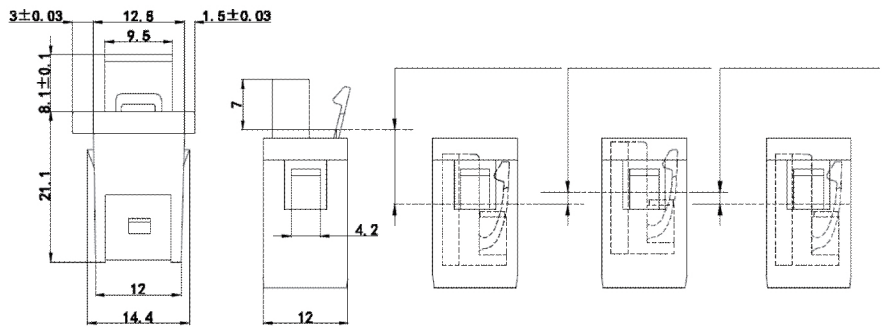
Material PA66/ Manganese Steel

Model:PR-HBX-02



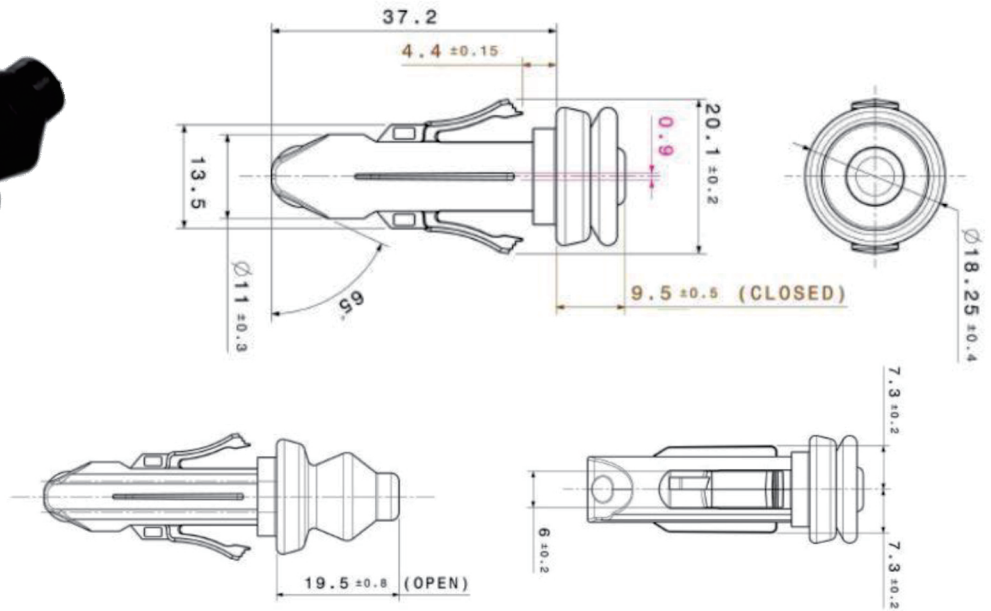
Material PA66/ Manganese Steel

Model:PR-DLB001



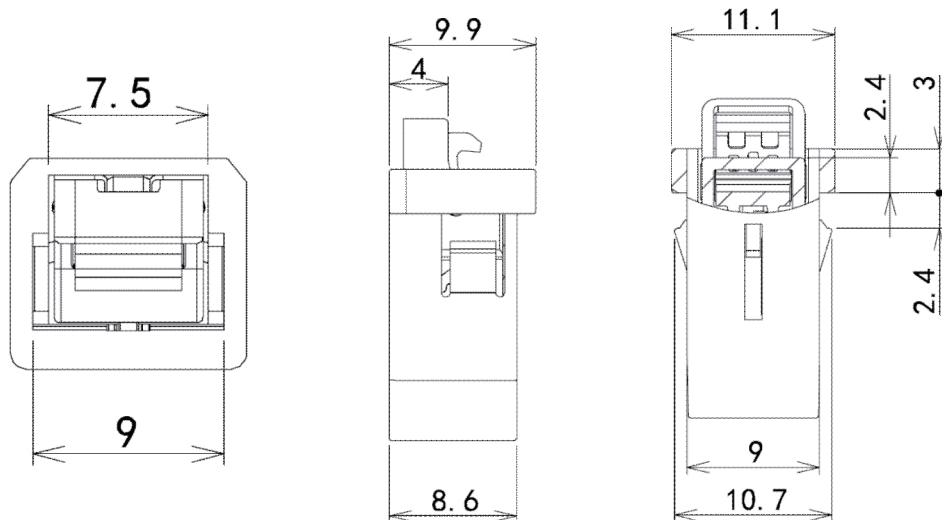
Body Material	PC
Claw Material	PA66
Circlip Material	SUS
Spring Material	SUS
Static Storage Temperature	-30°C - 80°C
Life Cycle	20,000 cycles
Locking Force	8.5 Ncm±0.5

Model:PR-DLC001



Body Material	Piston	Dust Cover	Spring	Circlip
PA66+GF	POM	MVQ	BS	BS

Model:PR-DL004



Body Material	Claw	Guide Piece	Spring	Circlip	Static Storage Temperature	Life Cycle
POM	POM	SUS	SUS	SUS	SUS	20,000 Cycles

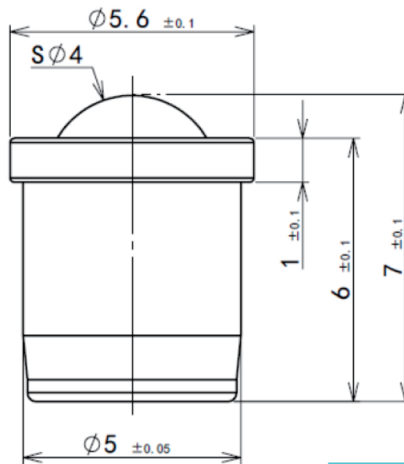
Model:PR-DL005



Body Material	PC
Claw Material	PA66
Spring Material	SUS
Cam Material	POM+GF10
Static Storage Temperature	23°C
Life Cycle	50,000 cycles



Model:PR-DLD001



Spring Material	POW
Steel Ball	SUS
Body Material	SUS



Delight Your Consumers With Amazing Design

China



Manufacturing Location : Dongguan、 Shanghai
Email:charles.chao@peir-hk.com

Hong Kong



Head office : 1st Floor, Winbase Centre, 208 Queen's Road
Central, HongKong
Email : charles.chao@peir-hk.com

Mexico



Address: Chihuahua, Mexico
Email: valeria.gomez@peir-hk.com

India



Address: Greater Noida, India
Email: abhishek.pandey@peir-hk.com

Brazil



Address: São Paulo, Brazil
Email: info@peir-hk.com