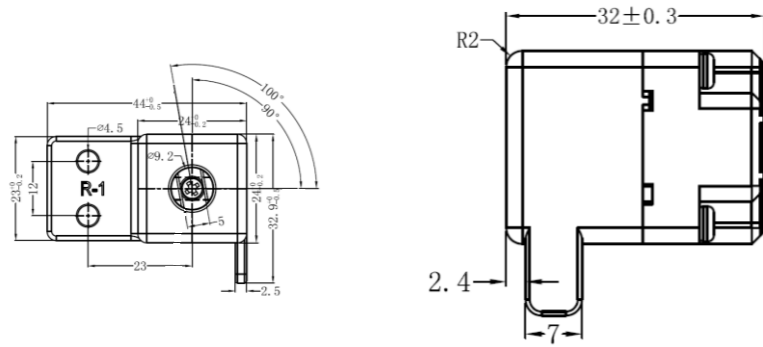
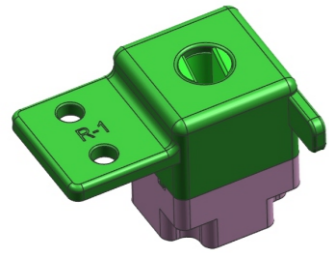
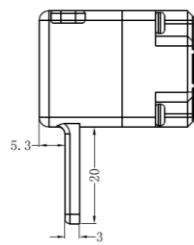
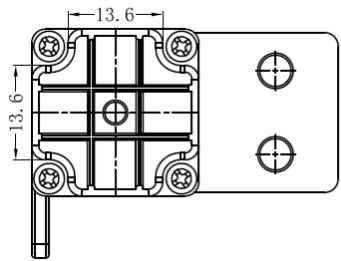


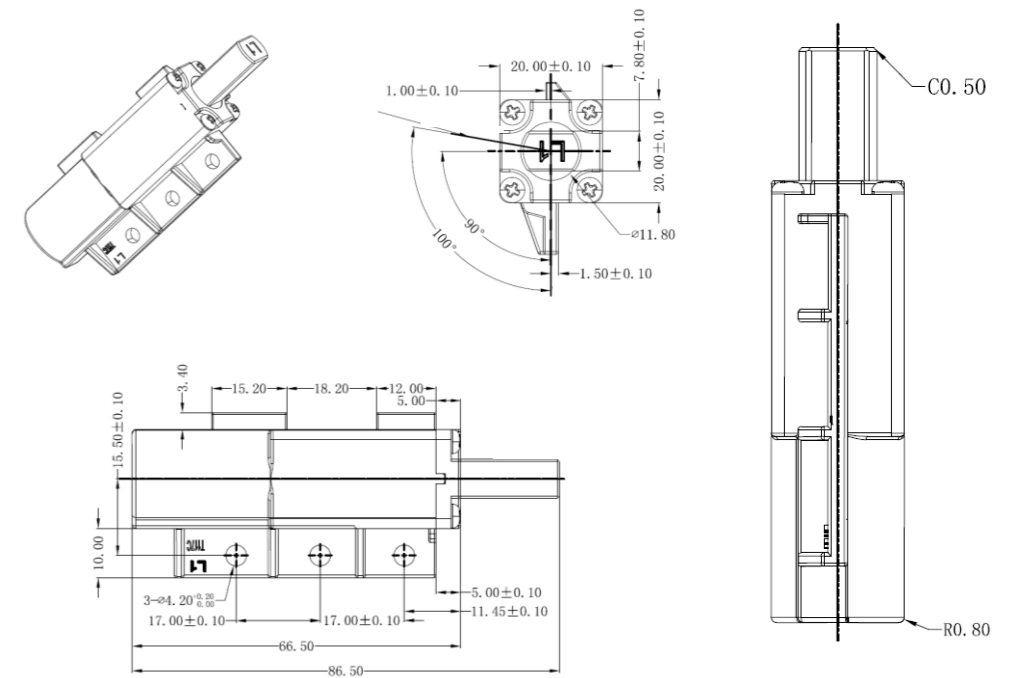
Model: PR-T093A-One way (For refrigerator, etc)



Torque	15-30KGF.CM
Max Opening Angle	100°
Static Storage Temperature	-40°C - 110°C
Dynamic Working Temperature	-5°C - 50°C
Body Material	PA66
Shaft Matetial	PA66
Oil	Silicone Oil



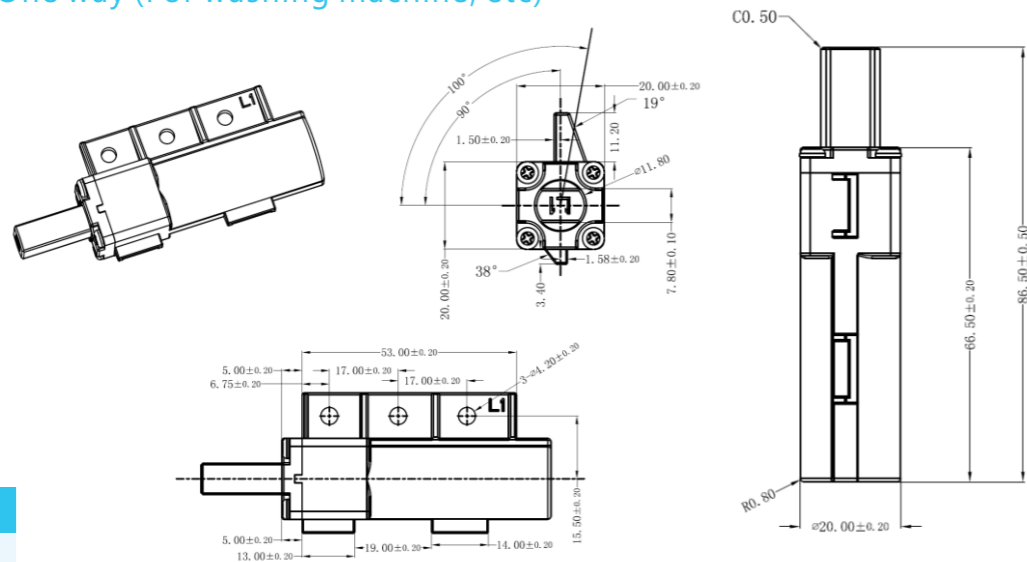
Model: PR-T117C-One way (Can stop at any angle)



Torque	40-90 KGF.CM
---------------	--------------

Max Opening Angle	Static Storage Temperature	Body Material	Shaft Material	Hovering Medium
100°	-20°C - 70°C	Zinc Alloy	Zinc Alloy	Spring(SWP-B)

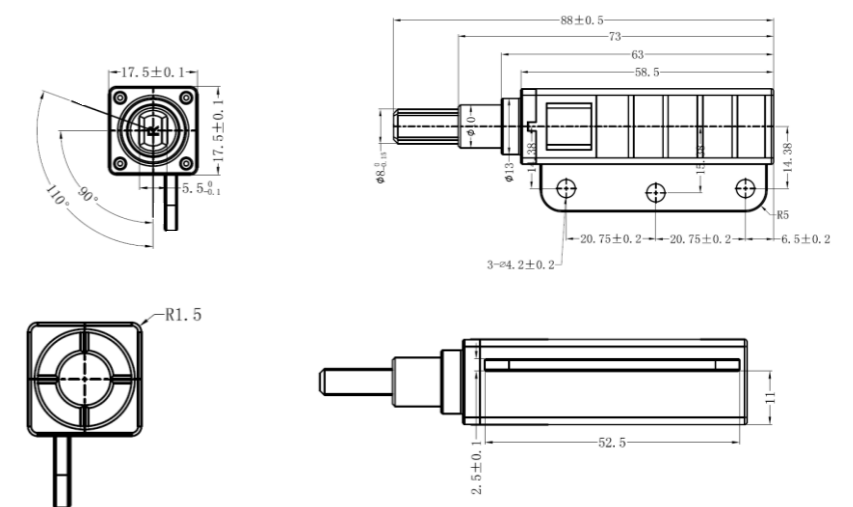
Model: PR-T117A-One way (For washing machine, etc)



Torque	40-90 KGF.CM
---------------	--------------

Max Opening Angle	Static Storage Temperature	Body Material	Shaft Material	Oil
100°	-20°C - 70°C	Zinc Alloy	Zinc Alloy	Silicone Oil

Model: PR-T118A-One way



Torque	10-50 KGF.CM
---------------	--------------

Max Opening Angle	Static Storage Temperature	Dynamic Working Temperature	Body Material	Shaft Material	Oil
110°	-40°C - 110°C	-5°C - 50°C	PA66 - GF40	Zinc Alloy	Silicone Oil