

Model: PR-T115A-One way

**Torque**  
20-80 KGf.CMM

Remarks: For T115 series dampers can also apply in high temperature environment (up to 120 degree), by using heat-resisting material. Such as in cooking ranges, ovens, etc.

Model: PR-T115B-One way (For cooking range, etc)

**Torque**  
20-80 KGf.CM

Max Opening Angle	Min Opening Angle	Static Storage Temperature	Body Material	Shaft Material	Damping Medium
110°	≤20°	-20°C - 60°C	Zinc Alloy	PA66 - GF40	Silicone Oil and Spring

Remarks: For T115 series dampers can also apply in high temperature environment (up to 120 degree), by using heat-resisting material. Such as in cooking ranges, ovens, etc.

Model: PR-T115G-One way

**Torque**  
20-60 KGf.CM

Max Opening Angle	Min Opening Angle	Static Storage Temperature	Body Material	Shaft Material	Damping Medium
110°	≤20°	-20°C - 60°C	POM	PA66 - GF40	Silicone Oil and Spring

Remarks: For T115 series dampers can also apply in high temperature environment (up to 120 degree), by using heat-resisting material. Such as in cooking ranges, ovens, etc.

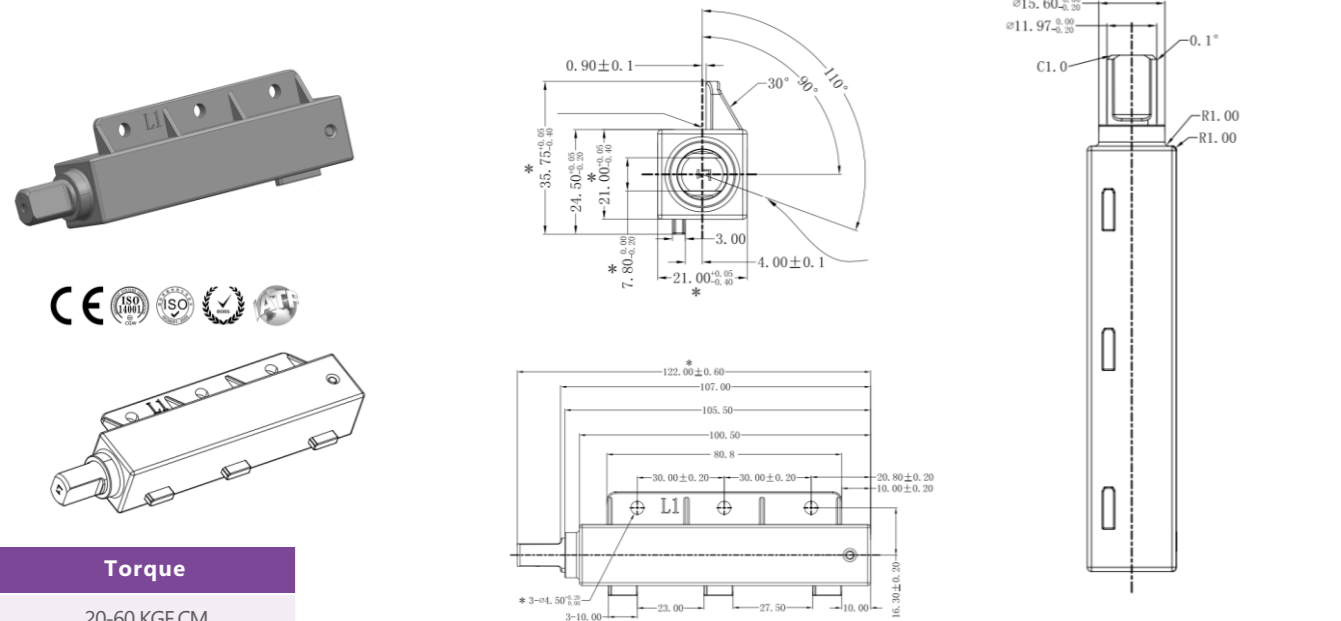
Model: PR-T115H-One way

**Torque**  
20-80 KGf.CM

Max Opening Angle	Static Storage Temperature	Body Material	Shaft Material	Damping Medium
110°C	-5°C - 50°C	Zinc Alloy	PA66 - GF40	Silicone Oil and Spring

Remarks: For T115 series dampers can also apply in high temperature environment (up to 120 degree), by using heat-resisting material. Such as in cooking ranges, ovens, etc.

Model: PR-T115M-One way

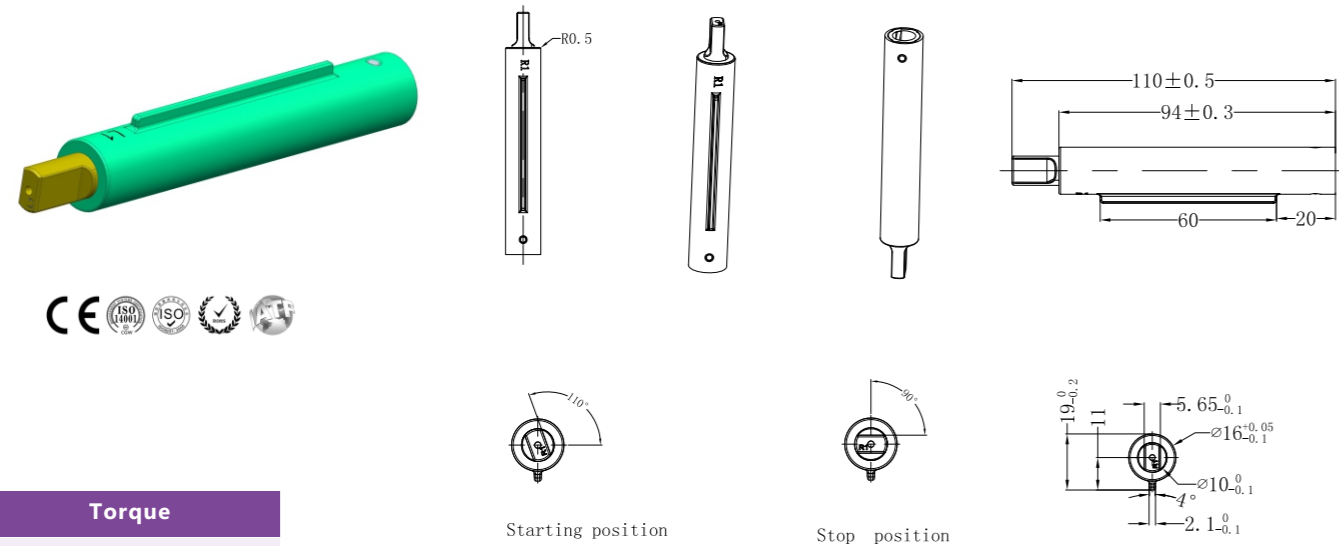


**Torque**  
20-60 KGF.CM

Max Opening Angle	Min Opening Angle	Static Storage Temperature	Body Material	Shaft Material	Damping Medium
110°	≤20°	-20°C - 60°C	POM	PA66 - GF40	Silicone Oil and Spring

Remarks: For T115 series dampers can also apply in high temperature environment (up to 120 degree), by using heat-resisting material. Such as in cooking ranges, ovens, etc.

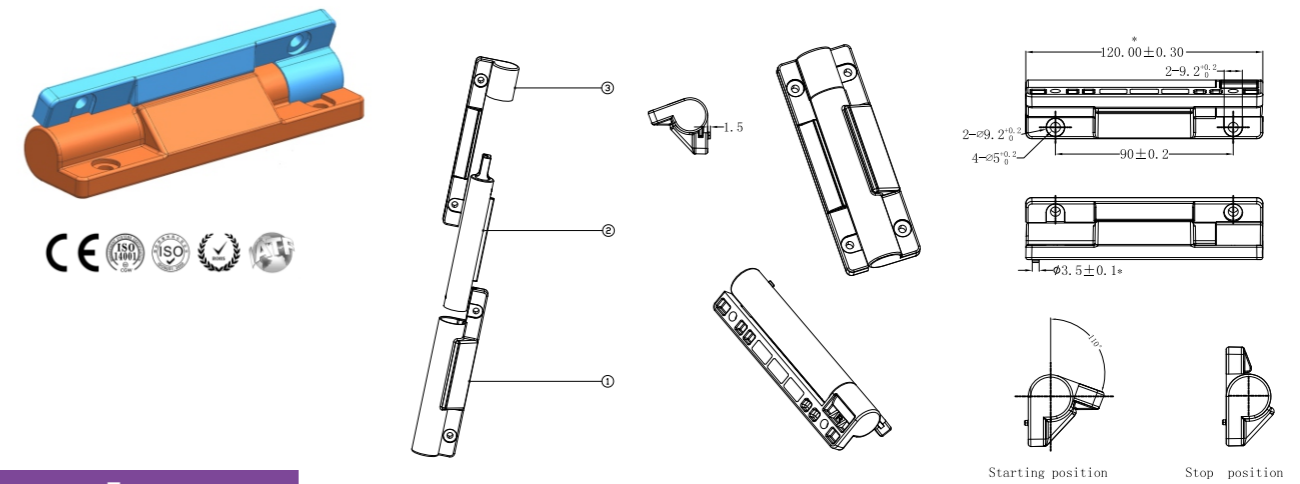
Model: PR-T116A-One way (For dishwasher, etc)



**Torque**  
5-50 KGF.CM

Max Opening Angle	Min Opening Angle	Static Storage Temperature	Body Material	Shaft Material	Damping Medium
110°	≤25°	-20°C - 60°C	Zinc alloy	PA66 - GF40	Silicone Oil and Spring

Model: PR-T116B-One way (For refrigerator, etc)



**Torque**  
5-50 KGF.CM

Max Opening Angle	Min Opening Angle	Static Storage Temperature	Body Material	Shaft Material	Damping Medium
110°	≤25°	-20°C - 60°C	Zinc alloy	PA66 - GF40	Silicone Oil and Spring



The high torque series damper especially for heavy lid, which require high torque. This series damper can provide a open force which can make the lid easy open, can provide a good user experience.