

Disk Damper

A type of infinite-angle damper. The damper body and the end cap were sealed, it will act as an oil chamber when the shaft rotates, and the silicone oil flows gradually between the shaft and the body, generating a constant damping force.

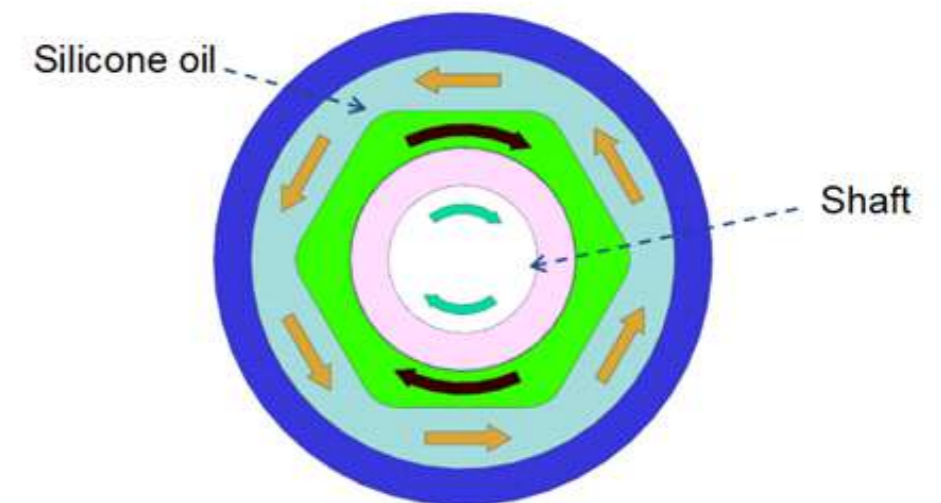
Torque: The torque value of an infinite-angle damper remains constant at every angle.

Damping direction: The infinite-angle damper is typically bidirectional, but if needed, a one-way bearing can be added to make it unidirectional.

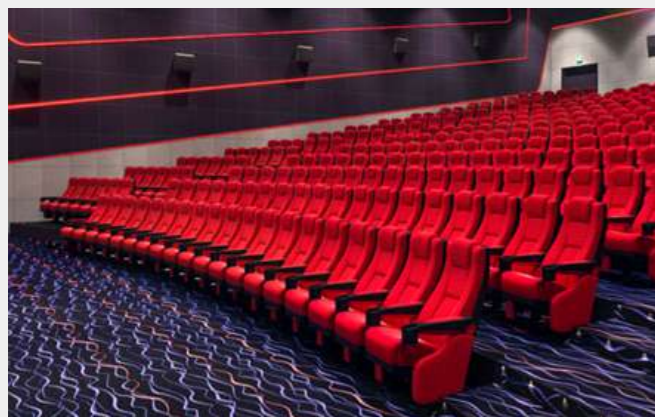
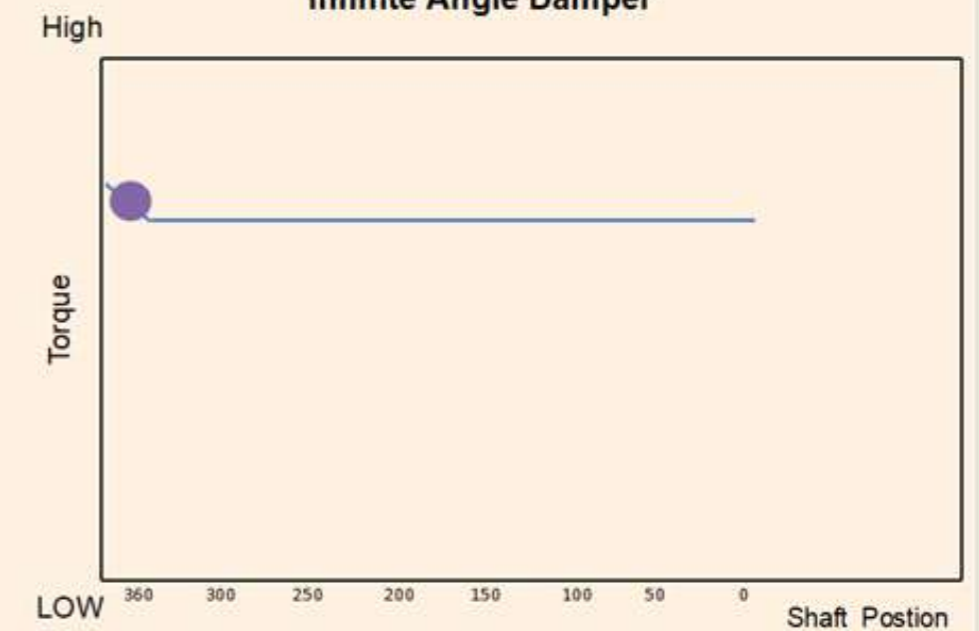
Note:

1. It is best to minimize the assembly clearance of the damper and the counterpart as if the assembly clearance is too large, it will affect the damping effect.
2. The disk damper can NOT bear the lateral force.

Infinite Angle Damper Damping



Infinite Angle Damper



Cinema seat

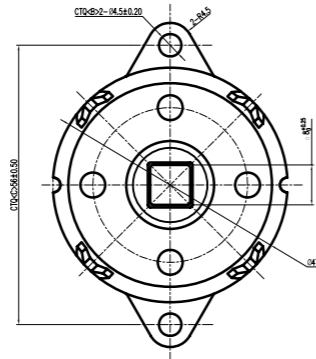
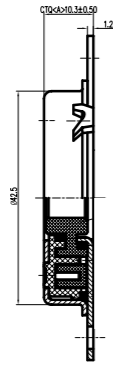


Safety banner



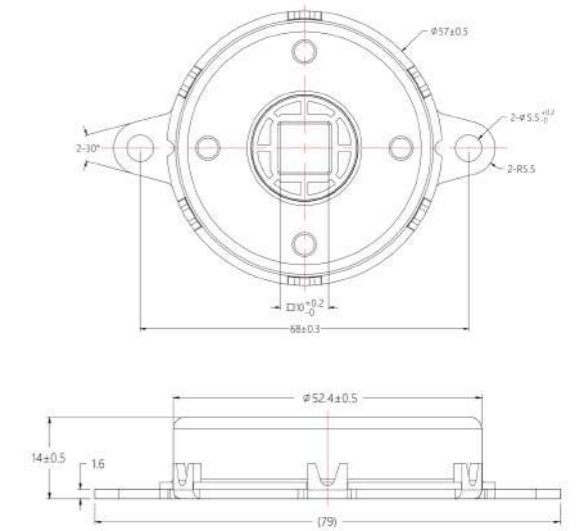
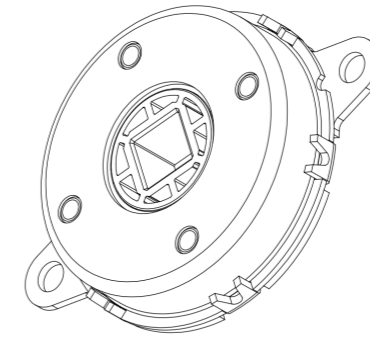
Safety gate

JP-DQ47A-One/Two way (Φ47mm)



Cover Material	Body Material	Rotation Shaft	Oil	Dynamic Working Temperature	Static Storage Temperatur
Steel (SPFC)	PA66+GF	POM	Silicone Oil	-10°C-50°C	-30°C-80°C
Max RPM	Life cycle	Torque			
50r/min	50,000cycles	10-50kgf.cm			

JP-DQ57A-One/Two way(Φ57mm)



Cover Material	Body Material	Rotation Shaft	Oil	Dynamic Working Temperature	Static Storage Temperatur
Steel (SPFC)	PA66+GF	POM	Silicone Oil	-10°C-50°C	-30°C-80°C
Max RPM	Life cycle	Torque			
50r/min	50,000cycles	10-60KGF.CM			