

Gear Damper

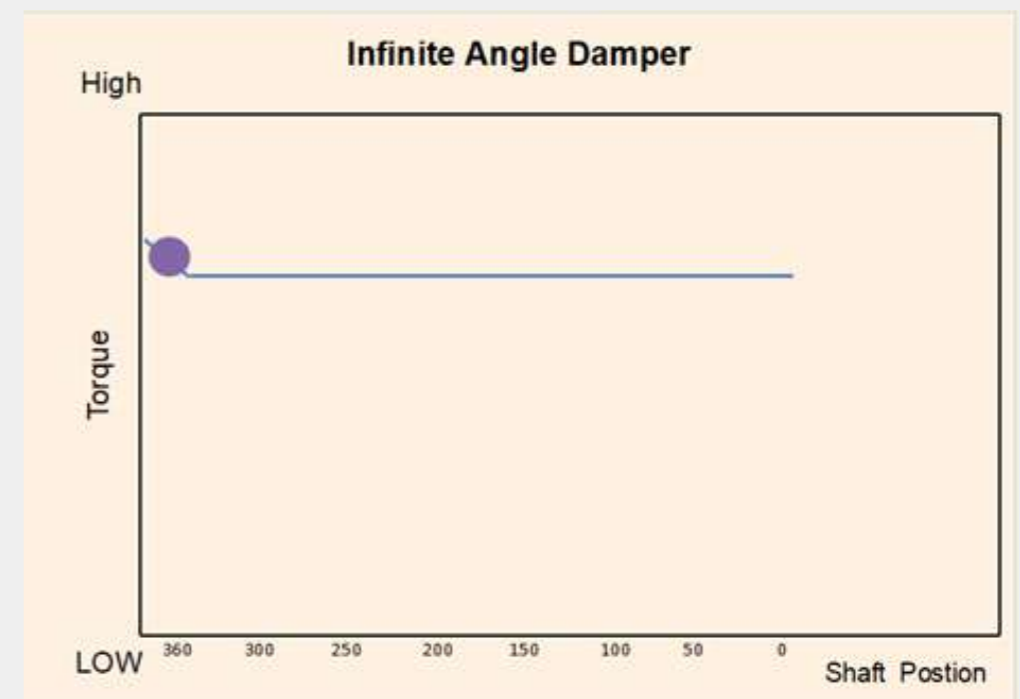
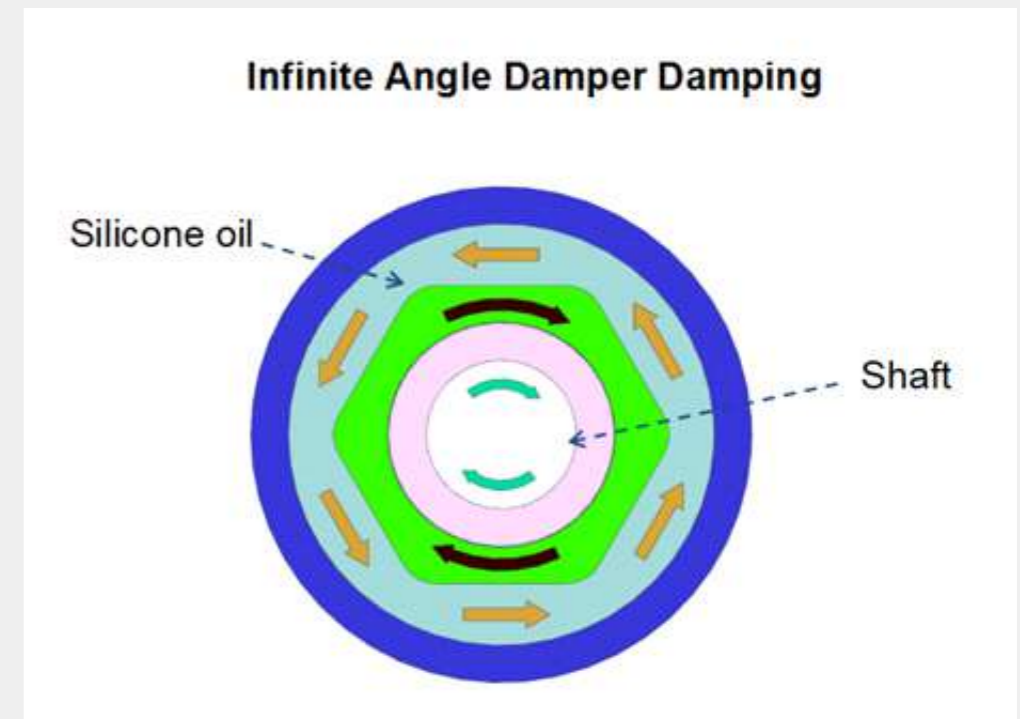
A type of infinite-angle damper. The damper body and the end cap were sealed, it will act as an oil chamber when the shaft rotates, and the silicone oil flows gradually between the shaft and the body, generating a constant damping force.

Torque: The torque value of an infinite-angle damper remains constant at every angle.

Damping direction: The infinite-angle damper is typically bidirectional, but if needed, a one-way bearing can be added to make it unidirectional.

Note:

1. It is best to minimize the assembly clearance of the damper and the counterpart as if the assembly clearance is too large, it will affect the damping effect.
2. The gear damper can NOT bear the lateral force.



Kettle

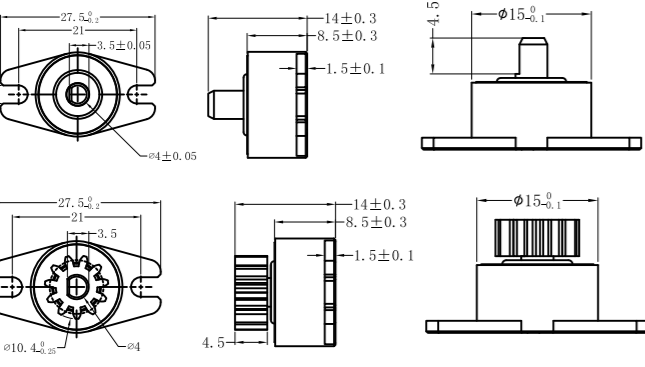


Coffee machine



Window shade

PR-T018A-One/Two way (Φ15mm)

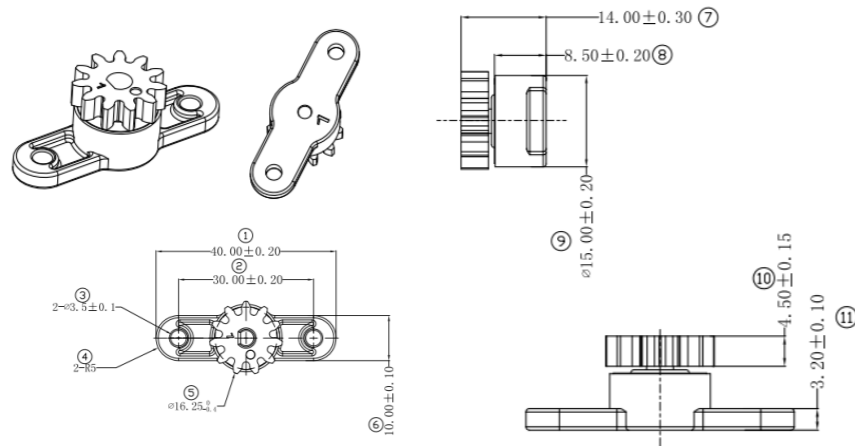


Torque	20-1200 GF.CM
Static Storage Temperature	-40°C-110°C
Dynamic Working Temperature	-5°C-50°C
Body Material	PC
Shaft Material	POM
Gear Material	POM
Oil	Silicone Oil

External Diameter	10.4
Dividing Dia	8.8
Gear No	11
Modulus	0.8
Pressure Angle	20°

Remarks:
Gear are alternative.

PR-T018D-One/Two way (Φ15mm)

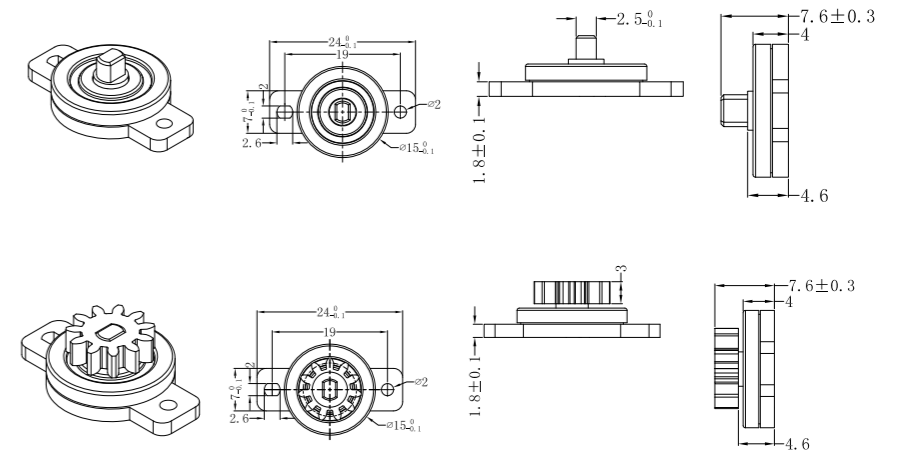


Torque	100-1200 GF.CM
---------------	----------------

Static Storage Temperature	Dynamic Working Temperature	Body Material	Shaft Material	Gear Material	Oil
-40°C-110°C	-5°C-50°C	PC	POM	POM	Silicone Oil

External Diameter	Dividing Dia	Gear No	Modulus	Pressure Angle
16.25	13.75	11	1.25	20°

PR-T020B-Two way (Φ15mm)



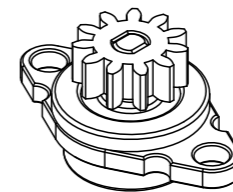
Torque	30-400 GF.CM
---------------	--------------

Static Storage Temperature	Dynamic Working Temperature	Body Material	Shaft Material	Oil
-40°C-110°C	-5°C-50°C	PC	POM	Silicone Oil

External Diameter	Dividing Dia	Gear No	Modulus	Pressure Angle
10.4	8.8	11	0.8	20°

Remarks:
Another Material of POM is available. Gears are alternative.

PR-T038A-One/Two way (Φ22mm)



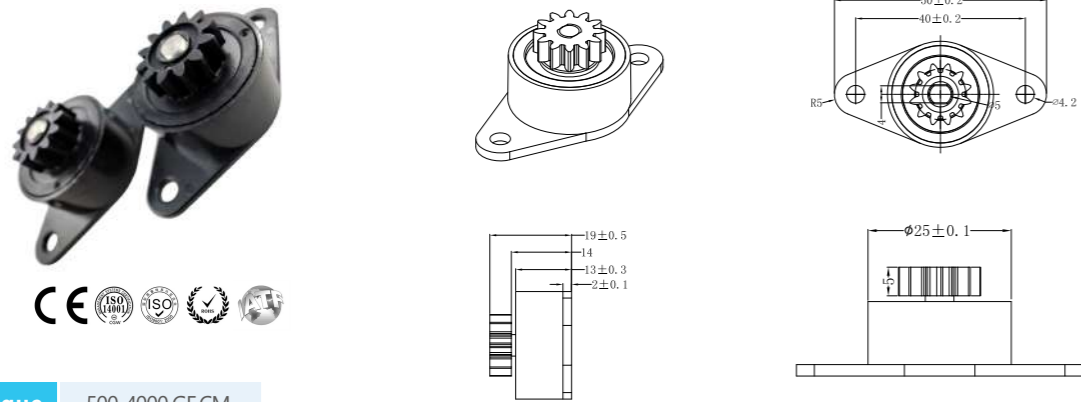
Torque	300-2000 GF.CM
---------------	----------------

Static Storage Temperature	Dynamic Working Temperature	Body Material	Shaft Material	Gear Material	Oil
-40°C-110°C	-5°C-50°C	PC	POM	POM	Silicone Oil

External Diameter	Dividing Dia	Gear No	Modulus	Pressure Angle
16.25	13.75	11	1.25	20°

Remarks:
Gear are alternative.

PR-T068A-One/Two way (Φ25mm)



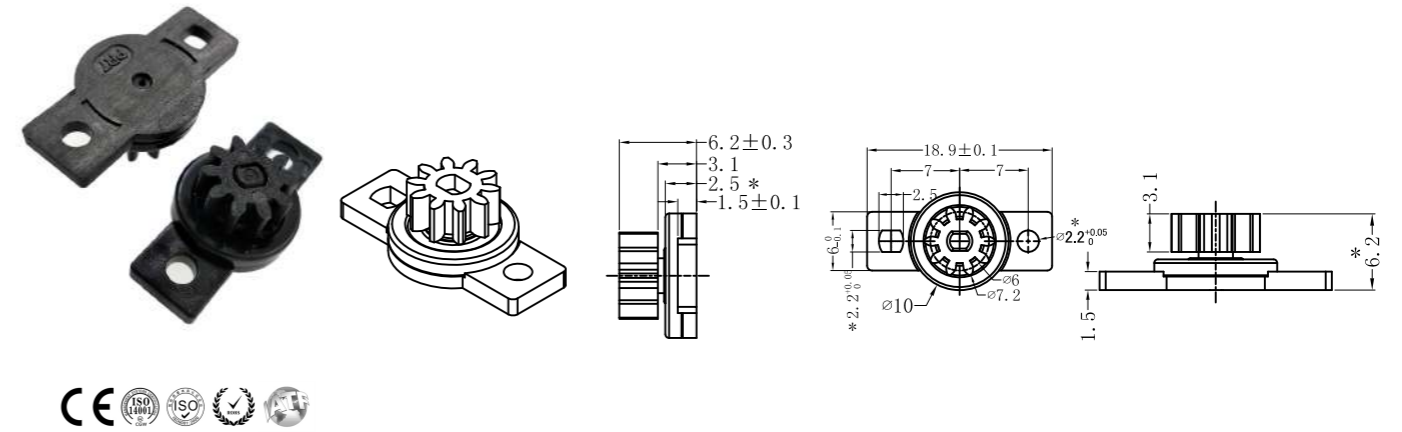
Torque	500-4000 GF.CM
---------------	----------------

Static Storage Temperature	Dynamic Working Temperature	Body Material	Shaft Material	Oil
-40°C-110°C	-5°C-50°C	PC	POM/Stainless steel	Silicone Oil

External Diameter	Dividing Dia	Gear No	Pressure Angle
14.75	12	12	20°

Remarks:
Gears are alternative. T068A is unidirectional while T068B bidirectional.

PR-T002A-Two way (Φ10mm)



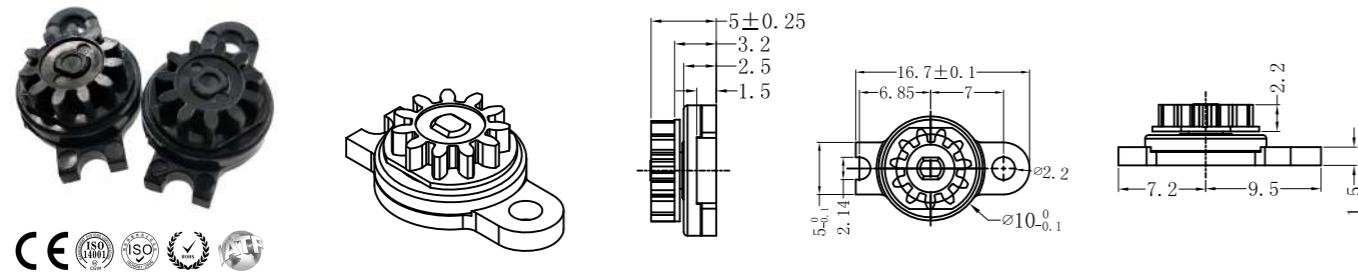
Torque	20-100 GF.CM
---------------	--------------

Static Storage Temperature	Dynamic Working Temperature	Body Material	Gear Material	Shaft Material	Oil
-40°C-110°C	-5°C-50°C	PC	POM	POM	Silicone Oil

External Diameter	Dividing Dia	Gear No	Modulus	Pressure Angle
7.2	6	10	0.6	20°

Remarks: T002B has no gear.
Gears are alternative.

PR-T001A-Two way (Φ10mm)



Torque	20-135 GF.CM
---------------	--------------

Static Storage Temperature	Dynamic Working Temperature	Body Material	Shaft Material	Gear Material	Oil
-40°C-110°C	-5°C-50°C	PC	POM	POM	Silicone Oil

External Diameter	Dividing Dia	Gear No	Modulus	Pressure Angle
7.8	6.6	11	0.6	20°

Remarks:
T001B has no gear. Gears are alternative.

PR-T009C-Two way (Φ15mm)



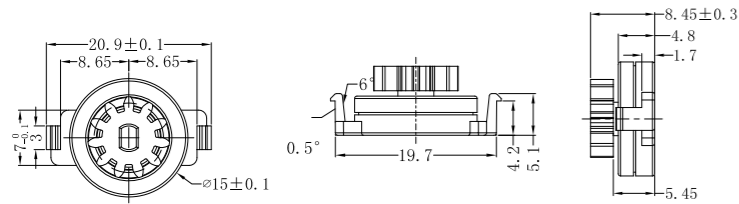
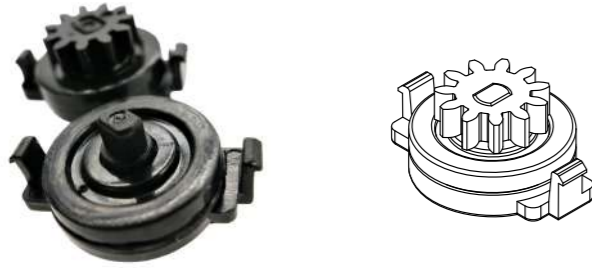
Torque	20-300 GF.CM
---------------	--------------

Static Storage Temperature	-40°C-110°C
Dynamic Working Temperature	-5°C-50°C
Body Material	PC
Shaft Material	POM
Gear Material	POM
Oil	Silicone Oil

External Diameter	10.4
Dividing Dia	8.8
Gear No	11
Modulus	0.8
Pressure Angle	20°

Remarks:
Compared with 009, T009D is gearless.

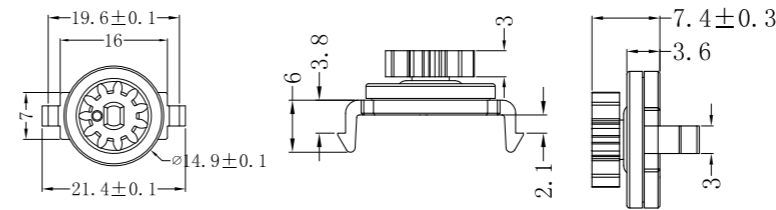
PR-T033-Two way (Φ15mm)



Torque	30-450 GF.CM
Static Storage Temperature	-40°C-110°C
Dynamic Working Temperature	-5°C-50°C
Body Material	PC
Shaft Material	POM
Gear Material	POM
Oil	Silicone Oil

External Diameter	10.4
Dividing Dia	8.8
Gear No	11
Modulus	0.8
Pressure Angle	20°

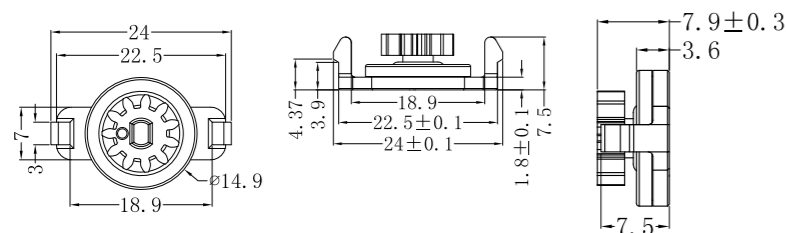
PR-T036-Two way (Φ14.9mm)



Torque	30-300 GF.CM
Static Storage Temperature	-40°C-110°C
Dynamic Working Temperature	-5°C-50°C
Body Material	PC
Shaft Material	POM
Gear Material	POM
Oil	Silicone Oil

External Diameter	10.4
Dividing Dia	8.8
Gear No	11
Modulus	0.8
Pressure Angle	20°

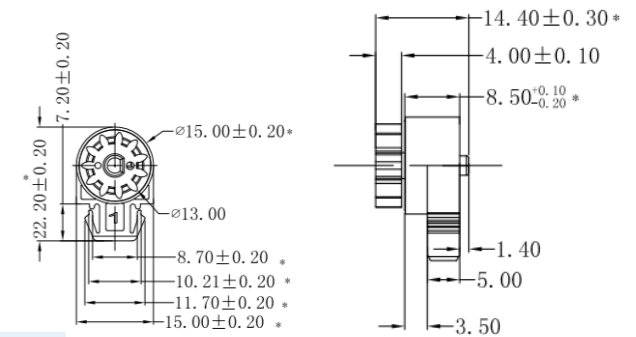
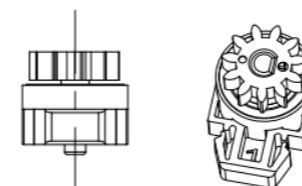
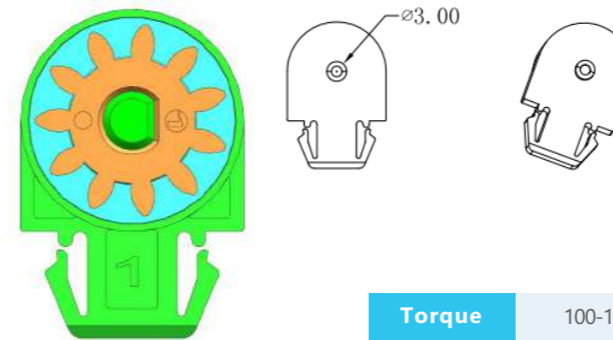
PR-T035-Two way (Φ14.9mm)



Torque	30-300 GF.CM
Static Storage Temperature	-40°C-110°C
Dynamic Working Temperature	-5°C-50°C
Body Material	PC
Shaft Material	POM
Oil	Silicone Oil

External Diameter	10.4
Dividing Dia	8.8
Gear No	11
Modulus	0.8
Pressure Angle	20°

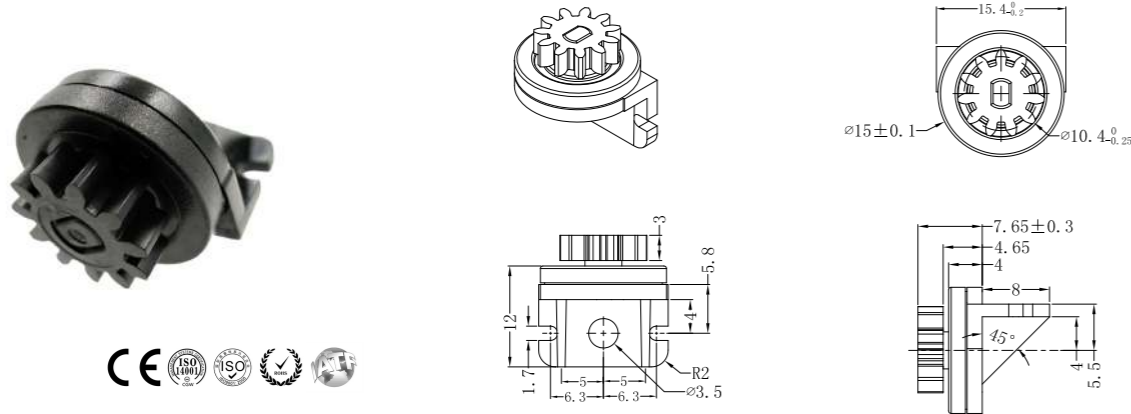
PR-T089A-One/Two way (Φ15mm)



Torque	100-1200 GF.CM
Static Storage Temperature	-40°C - 110°C
Dynamic Working Temperature	-5°C - 50°C
Oil	Silicone Oil
Body Material	PC
Shaft Material	POM
Gear Material	POM

External Diameter	13
Dividing Dia	11
Gear No	11
Modulus	1.0
Pressure Angle	20°

PR-T090A-Two way (Φ15mm)



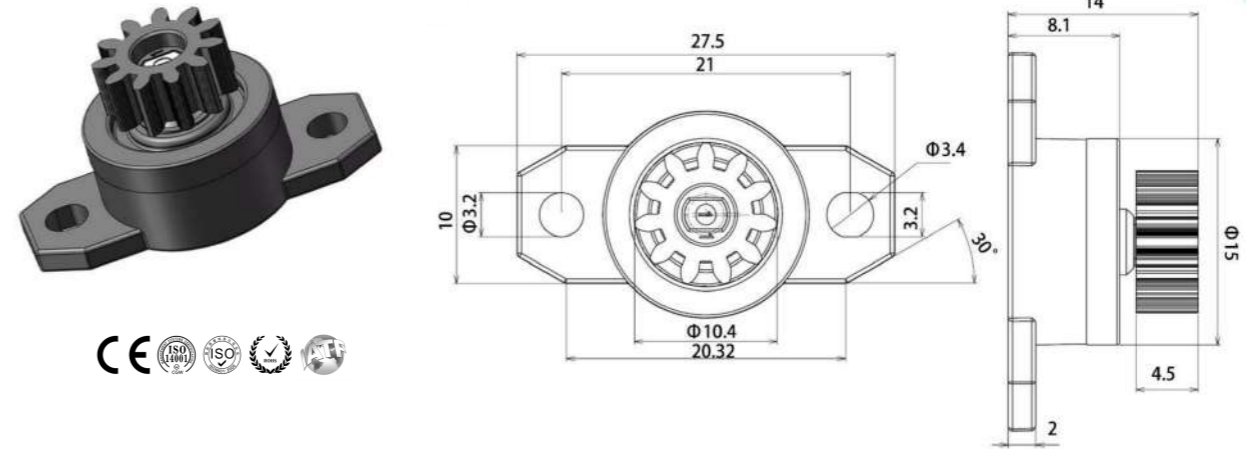
Torque 30-250 GF.CM

Static Storage Temperature	Dynamic Working Temperature	Body Material	Shaft Material	Oil
-40°C-110°C	-5°C-50°C	PC	POM	Silicone Oil

External Diameter	Dividing Dia	Gear No	Modulus	Pressure Angle
10.4	8.8	11	0.8	20°

Remarks:
Compared with T090A, the gear diameter of T090B is 14.4mm.

JP-D2104-Two way (Φ15mm)

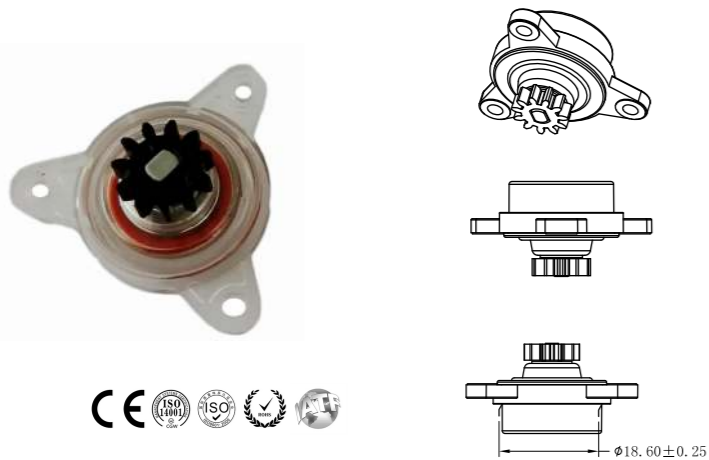


Torque 2.0N.cm-3.9N.cm

Static Storage Temperature	Dynamic Working Temperature	Body Material	Shaft Material	Gear Material	Oil
-40°C-110°C	-5°C-50°C	PC	POM	POM	Silicone Oil

External Diameter	Dividing Diameter	Gear No	Pressure Angle
Φ10.4	Φ8.8	11	20°

PR-T091-One way (Φ22mm)

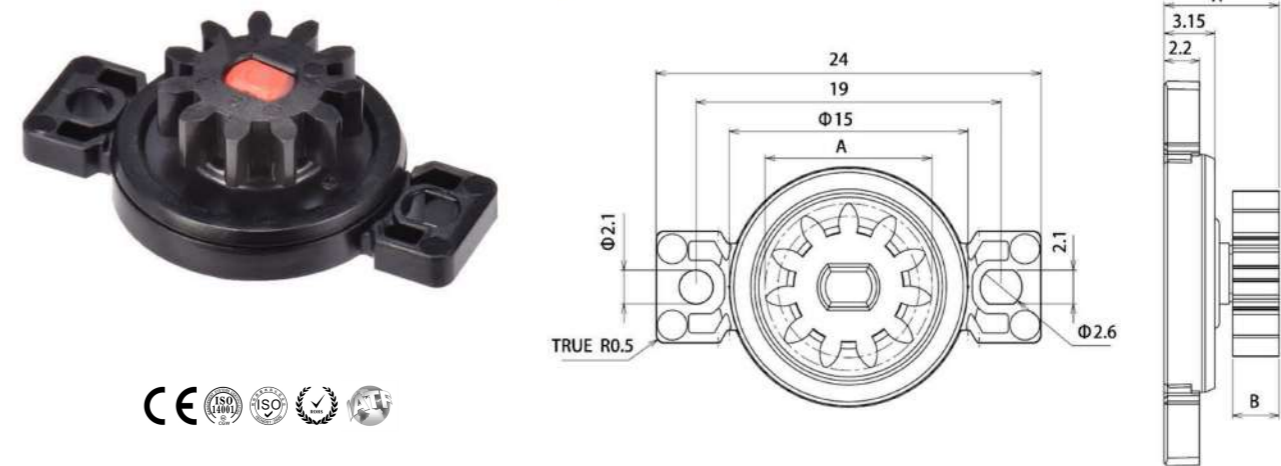


Torque 100-900 GF.CM

Static Storage Temperature	-40°C-110°C
Dynamic Working Temperature	-20°C-70°C
Body Material	PC
Gear Material	POM
Shaft Material	PA66
Oil	Silicone Oil

External Diameter	10.4
Dividing Dia	8.8
Gear No	11
Modulus	0.8
Pressure Angle	20°

JP-D01020-Two way (Φ15mm)

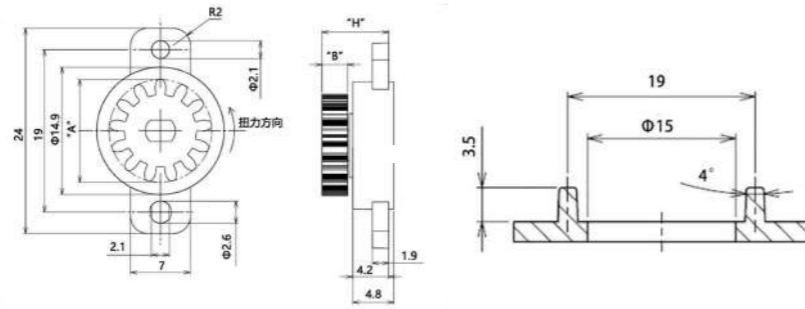
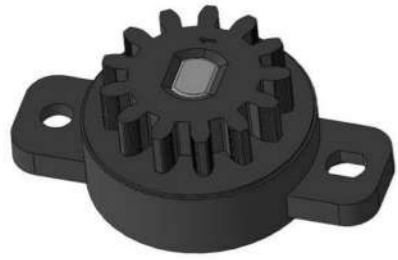


Torque 0.25N.cm-2.2N.cm

Static Storage Temperature	Dynamic Working Temperature	Body Material	Shaft Material	Gear Material	Oil
-40°C-110°C	-5°C-50°C	PC	POM	POM	Silicone Oil

External Diameter	Modulus	Gear No	Pressure Angle	Gear Height "B"	Total Height "H"
Φ9.6-14	Φ8.8	10/11/13/16	20°	3/3.6/4.5	7.3/7.6/8.8

JP-D01023-One way (Φ14.9mm)



Torque 1N.cm-4N.cm

Static Storage Temperature	Dynamic Working Temperature	Body Material	Shaft Material	Gear Material	Oil
-40°C-110°C	-5°C-50°C	PC	POM	POM	Silicone Oil

External Diameter	Modulus	Gear No	Pressure Angle	Gear Height "B"	Total Height "H"
Φ9.6-14	0.8	10/11/13/16	20°	3/3.6/4.5	7.7/8.3/9.2