

Barrel Damper

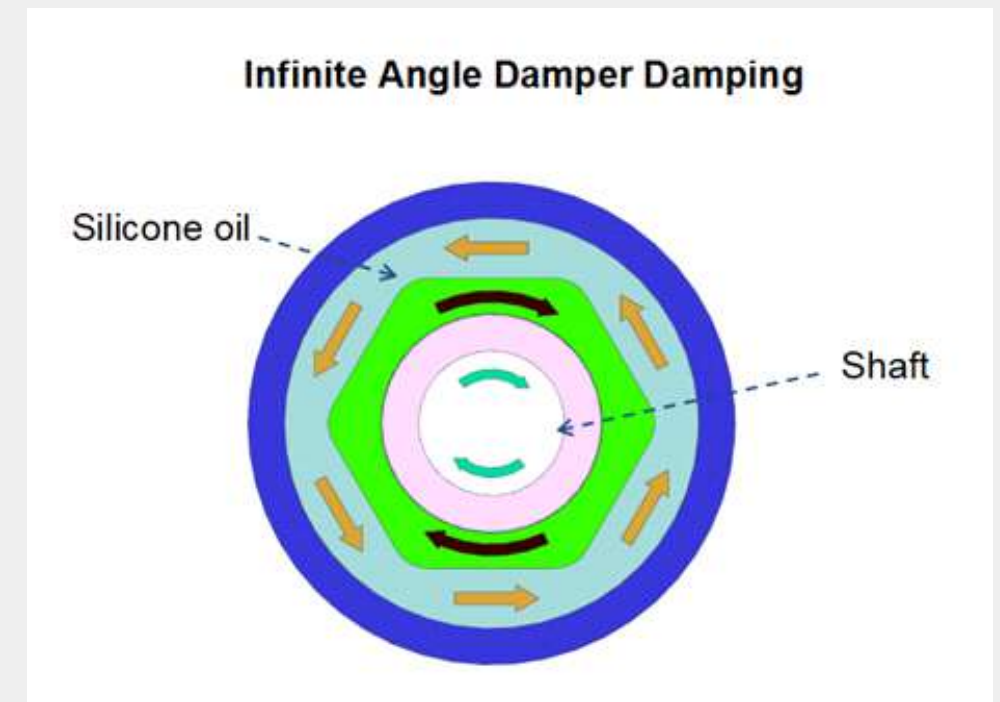
A type of infinite-angle damper. The damper body and the end cap were sealed, it will act as an oil chamber when the shaft rotates, and the silicone oil flows gradually between the shaft and the body, generating a constant damping force.

Torque: The torque value of an infinite-angle damper remains constant at every angle.

Damping direction: Bidirectional damper.

Note:

1. It is best to minimize the assembly clearance of the damper and the counterpart as if the assembly clearance is too large, it will affect the damping effect.
2. The barrel damper can NOT bear the lateral force.



Armrest

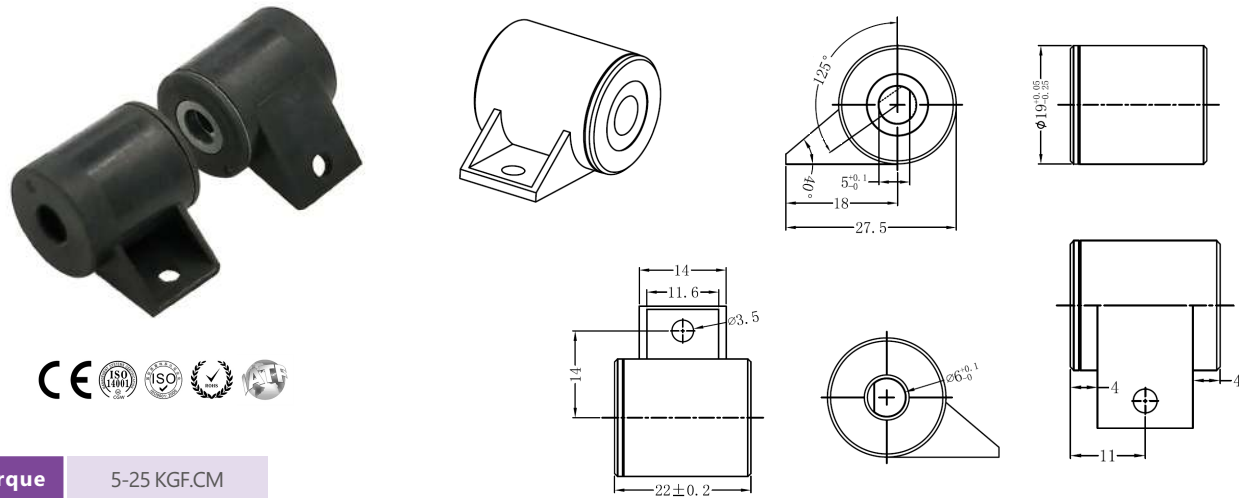


EV charger



Grab handle

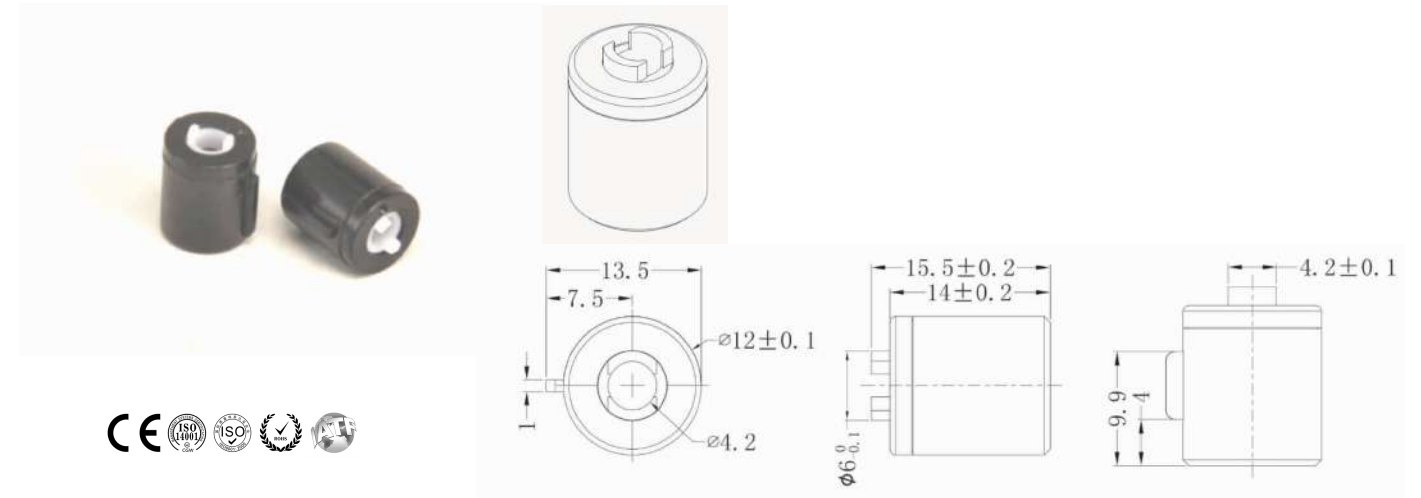
PR-T021A-One way (Φ19mm)



Torque 5-25 KGf.cm

Static Storage Temperature	Dynamic Working Temperature	Body Material	Shaft Material	Oil
-40°C-110°C	-5°C-50°C	PA66	Zinc Alloy	Silicone Oil

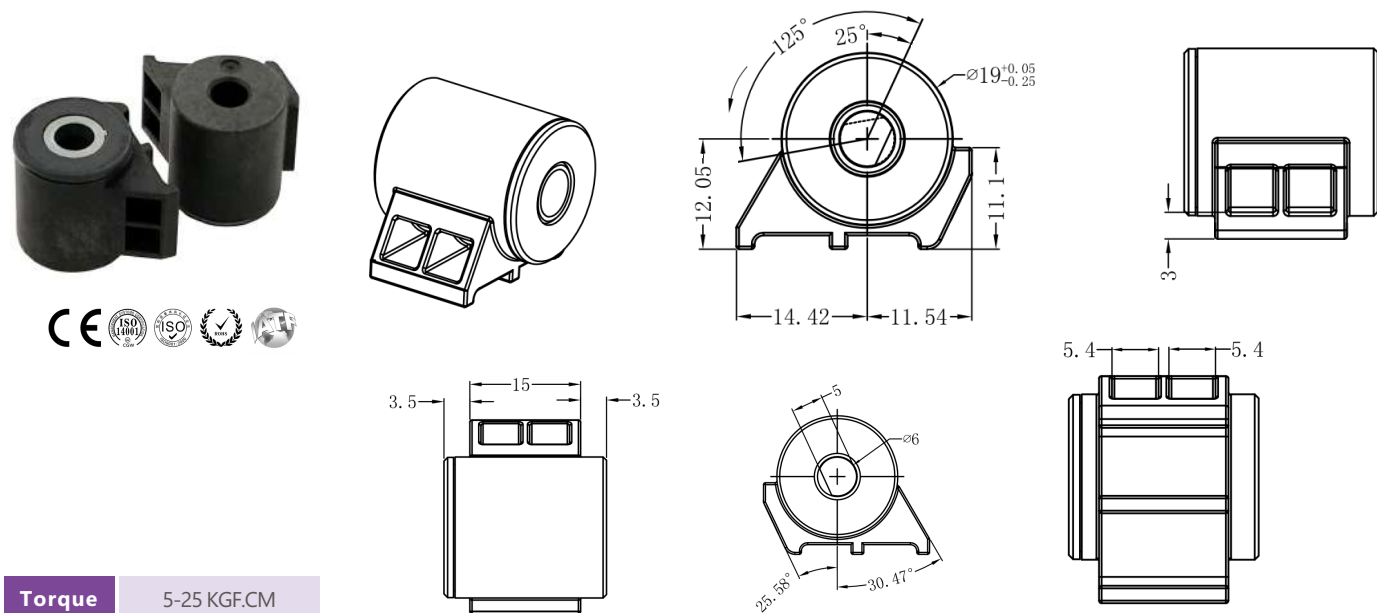
PR-T022B-Two way (Φ12mm)



Torque 100-1000 GF.cm

Static Storage Temperature	Dynamic Working Temperature	Body Material	Oil
-40°C-110°C	-5°C-50°C	PC	Silicone Oil

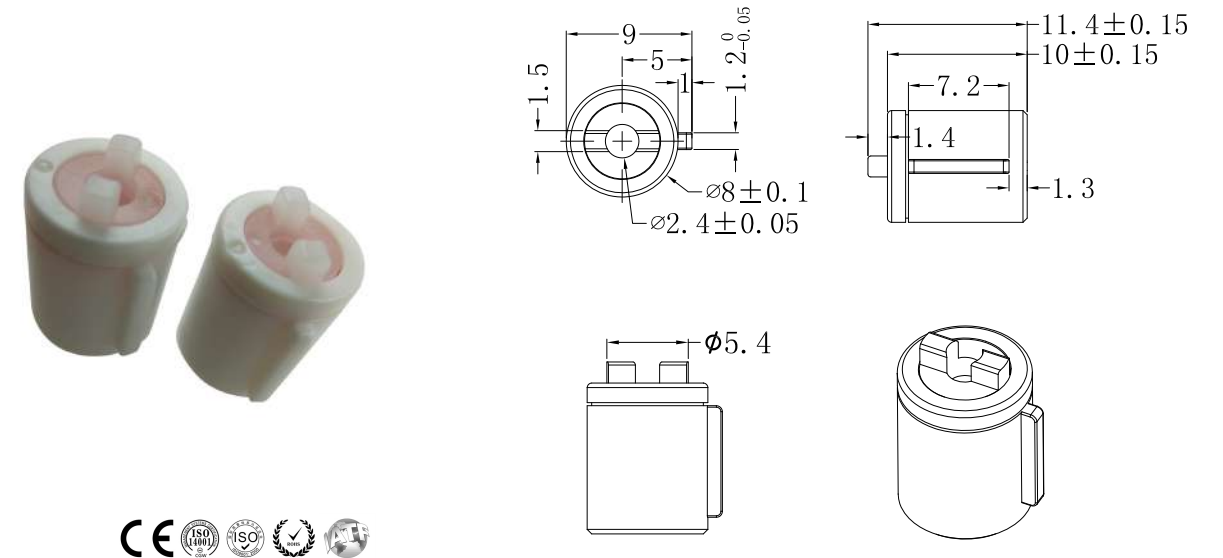
PR-T021B-One way (Φ19mm)



Torque 5-25 KGf.cm

Static Storage Temperature	Dynamic Working Temperature	Body Material	Shaft Material	Oil
-40°C-110°C	-5°C-50°C	PA66	Zinc Alloy	Silicone Oil

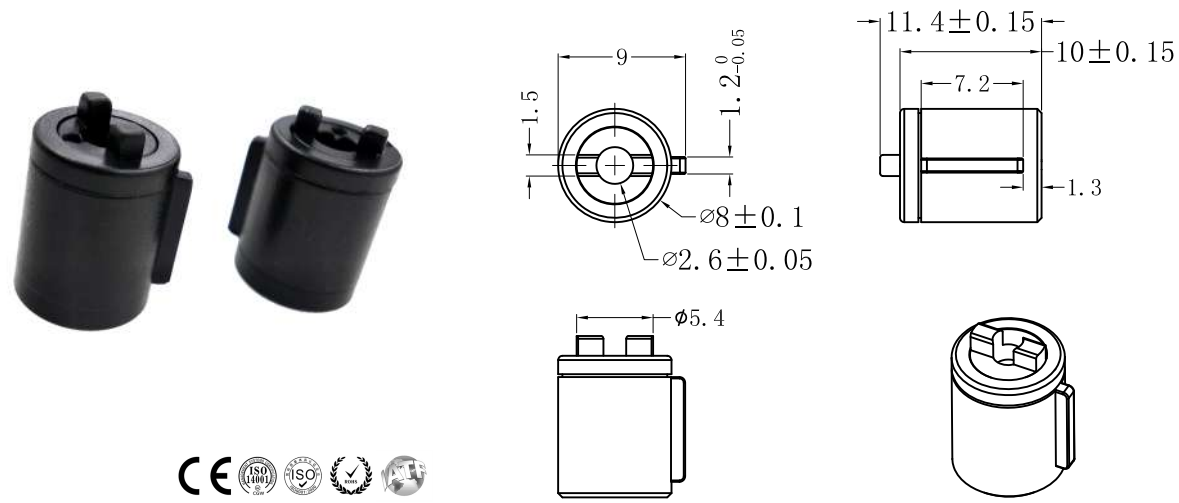
PR-T026A-Two way (Φ8mm)



Torque 50-350 GF.cm

Static Storage Temperature	Dynamic Working Temperature	Body Material	Shaft Material	Oil
-40°C-110°C	-5°C-50°C	PC	POM	Silicone Oil

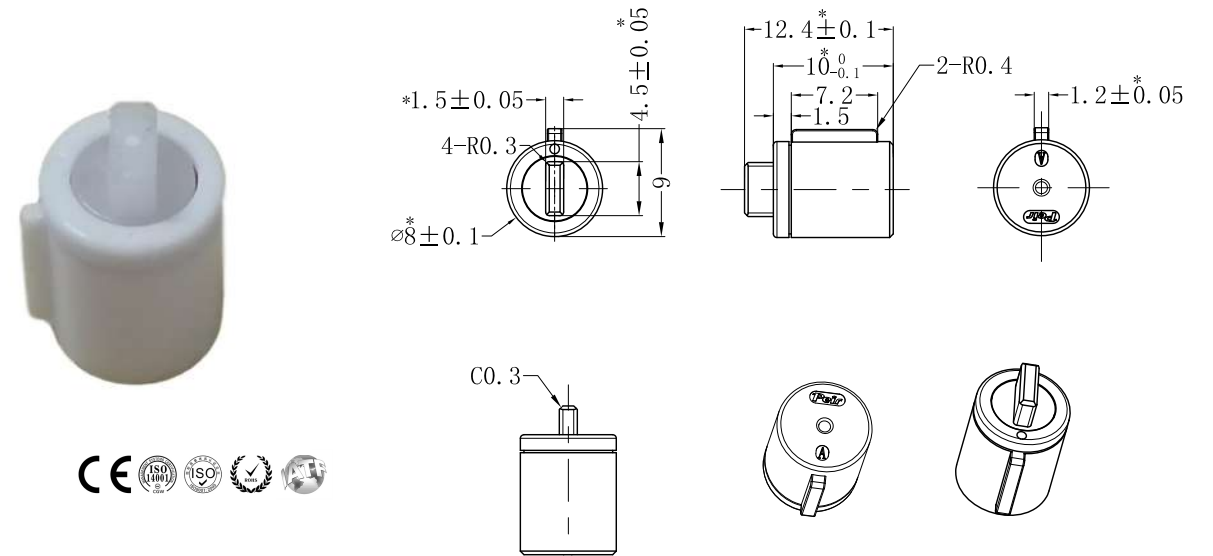
PR-T026C-Two way (Φ8mm)



Torque 50-220 GF.CM

Static Storage Temperature	Dynamic Working Temperature	Body Material	Shaft Material	Oil
-40°C-110°C	-5°C-50°C	PC	POM	Silicone Oil

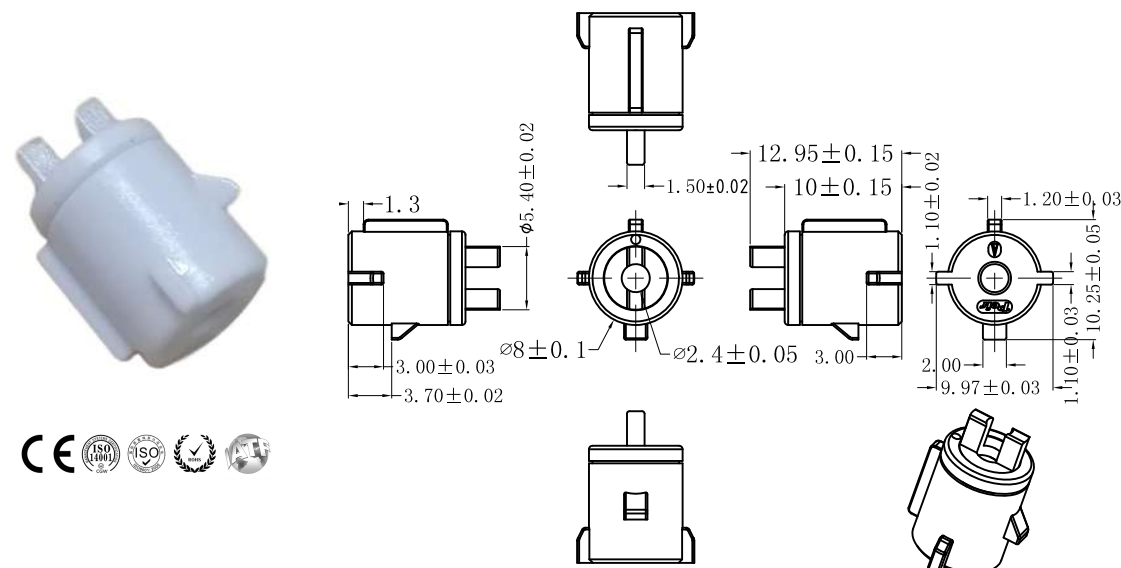
PR-T026F-Two way (Φ8mm)



Torque 50-220 GF.CM

Static Storage Temperature	Dynamic Working Temperature	Body Material	Shaft Material	Oil
-40°C-110°C	-5°C-50°C	PC	POM	Silicone Oil

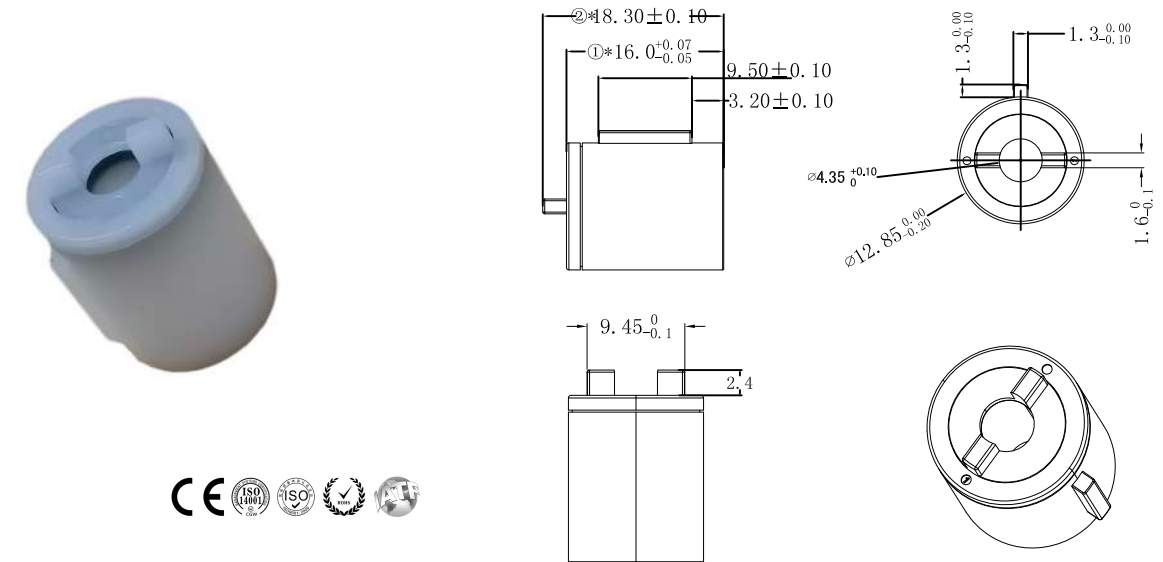
PR-T026D-Two way (Φ8mm)



Torque 50-220 GF.CM

Static Storage Temperature	Dynamic Working Temperature	Body Material	Shaft Material	Oil
-40°C-110°C	-5°C-50°C	PC	POM	Silicone Oil

PR-T027A-Two way (Φ12.85mm)



Torque 200-2200 GF.CM

Static Storage Temperature	Dynamic Working Temperature	Body Material	Shaft Material	Oil
-40°C-110°C	-5°C-50°C	POM	POM	Silicone Oil

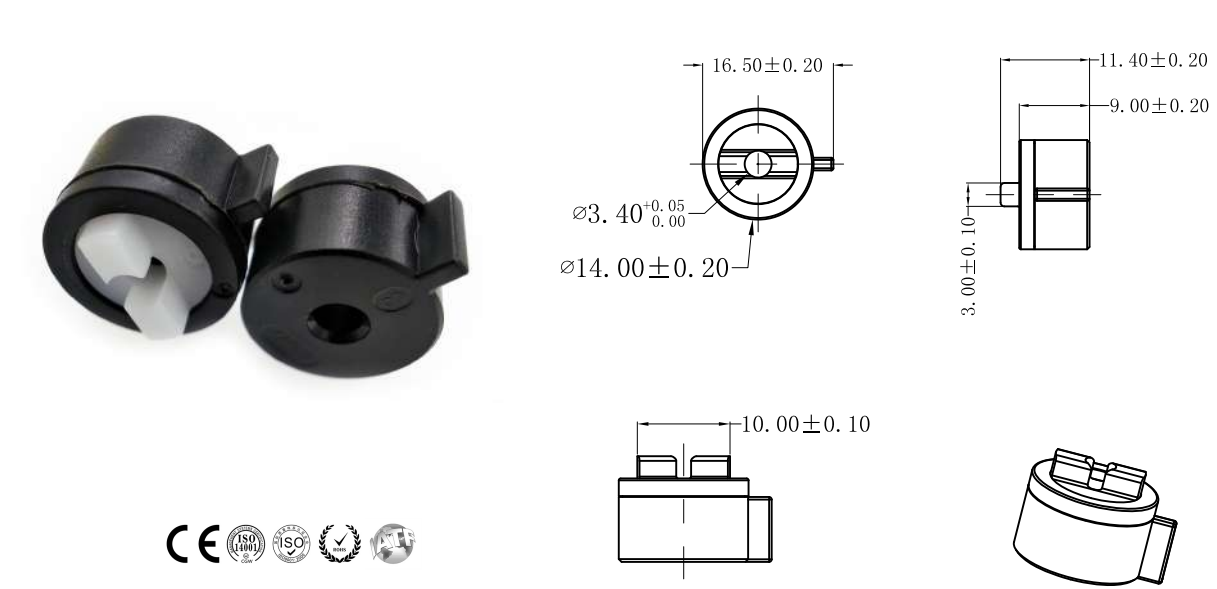
PR-T028-Two way (Φ15mm)



Torque 300-3500 GF.CM

Static Storage Temperature	Dynamic Working Temperature	Body Material	Shaft Material	Oil
-40°C-110°C	-5°C-50°C	PC	POM	Silicone Oil

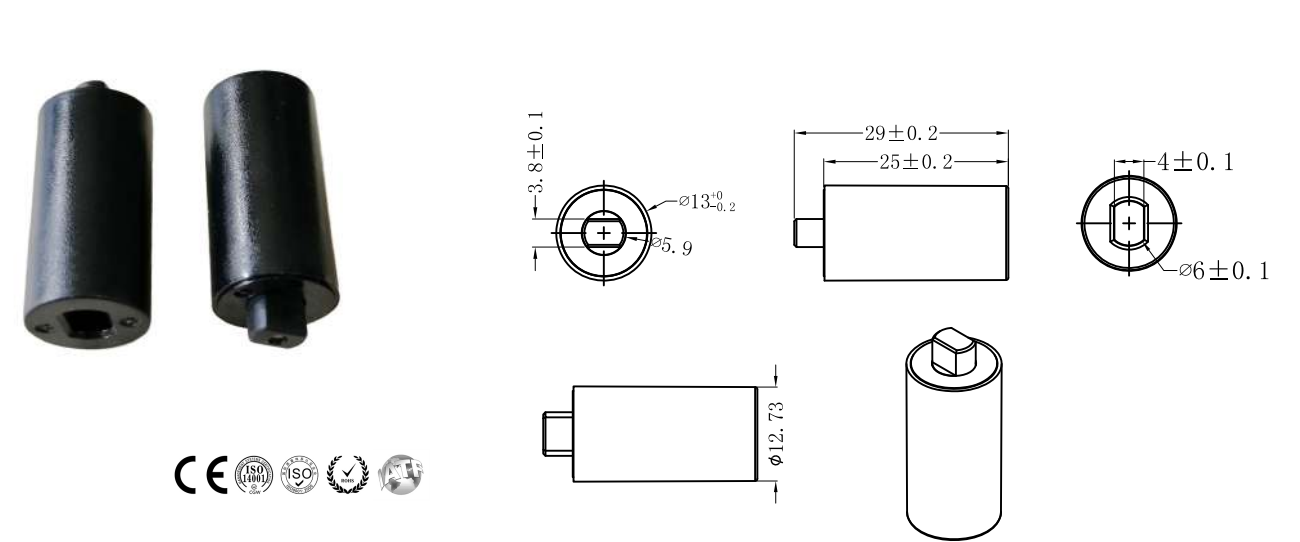
PR-T029-Two way (Φ14mm)



Torque 300-2500 GF.CM

Static Storage Temperature	Dynamic Working Temperature	Body Material	Shaft Material	Oil
-40°C-110°C	-5°C-50°C	PC	POM	Silicone Oil

PR-T080A-Two way (Φ13mm)

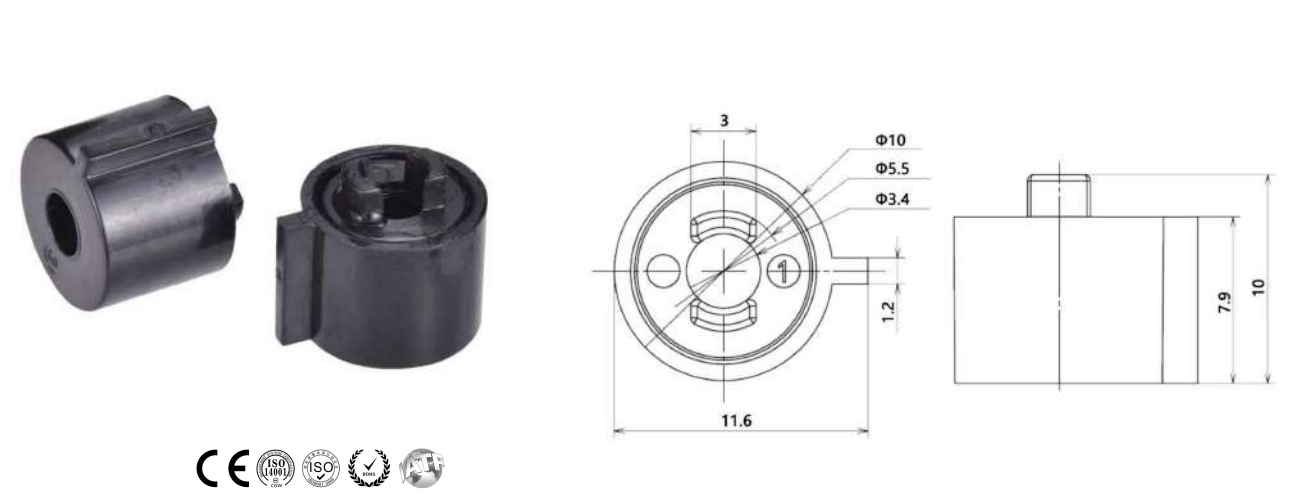


Torque 500-4000 GF.CM

Static Storage Temperature	Dynamic Working Temperature	Body Material	Shaft Material	Oil
-40°C-110°C	-5°C-50°C	PC	POM	Silicone Oil

Remarks:
Compared with T080A, the shaft length of T080B is 5mm.

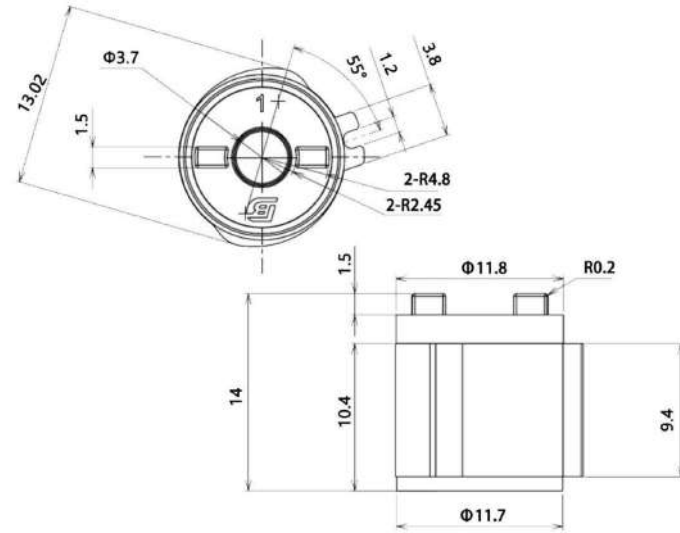
JP-D02013-Two way(Φ10mm)



Torque at 20rpm 1.5-3.75 Ncm

Static Storage Temperature	Dynamic Working Temperature	Body Material	Shaft Material	Oil
-30°C-90°C	-5°C-50°C	POM	POM	Silicone Oil

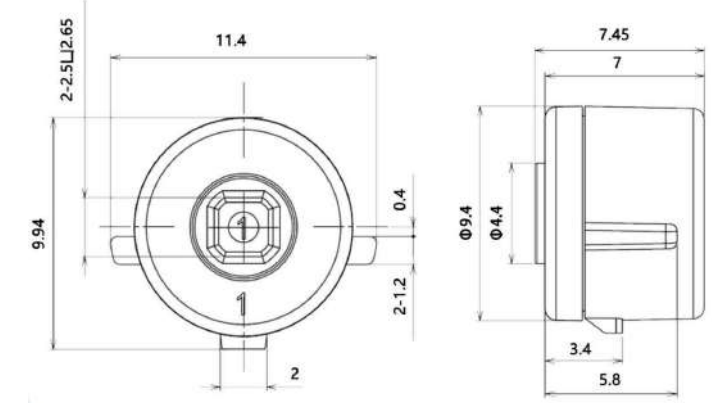
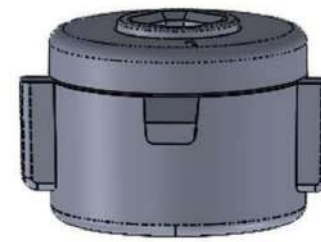
JP-D02018-Two way(Φ 11.8mm)



Torque at 20rpm 6N.cm

Static Storage Temperature	Dynamic Working Temperature	Body Material	Shaft Material	Oil
-30°C-90°C	-5°C-50°C	POM	POM	Silicone Oil

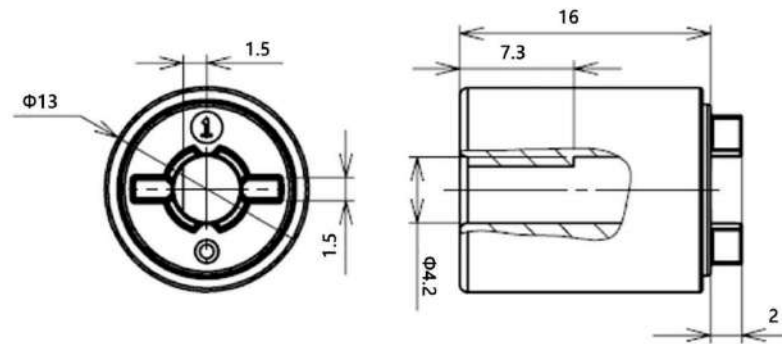
JP-D02019-Two way(Φ 9.4mm)



Torque at 20rpm 1.5N.cm

Static Storage Temperature	Dynamic Working Temperature	Body Material	Shaft Material	Oil
-30°C-90°C	-5°C-50°C	POM	POM	Silicone Oil

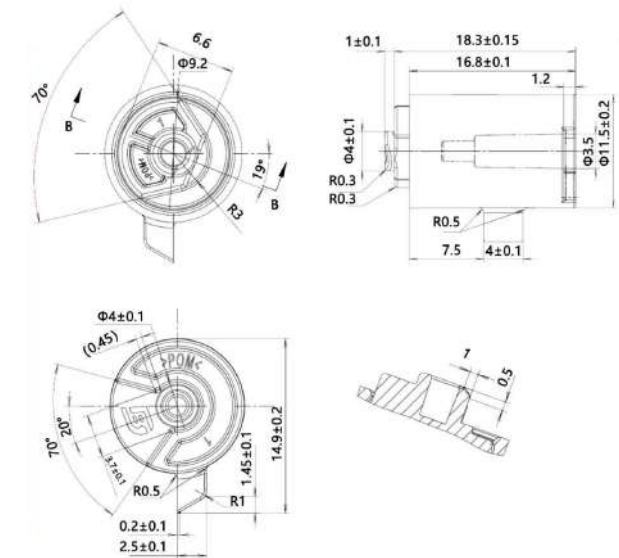
JP-D02012-Two way(Φ 13mm)



Torque at 20rpm 5N.cm-11N.cm

Static Storage Temperature	Dynamic Working Temperature	Body Material	Shaft Material	Oil
-30°C-90°C	-5°C-50°C	POM	POM	Silicone Oil

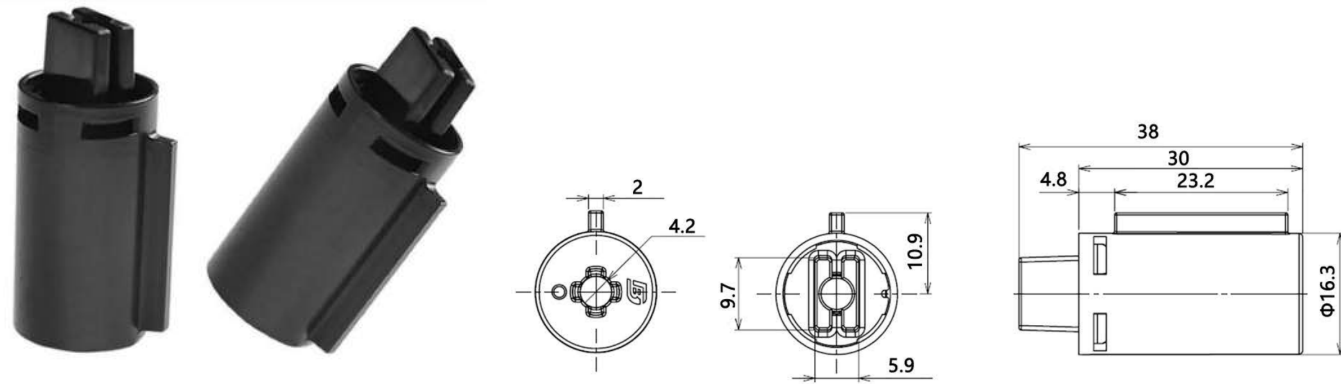
JP-D02016-Two way(Φ 9.2mm)



Torque at 20rpm 5-11N.cm

Static Storage Temperature	Dynamic Working Temperature	Body Material	Shaft Material	Oil
-30°C-90°C	-5°C-50°C	POM	POM	Silicone Oil

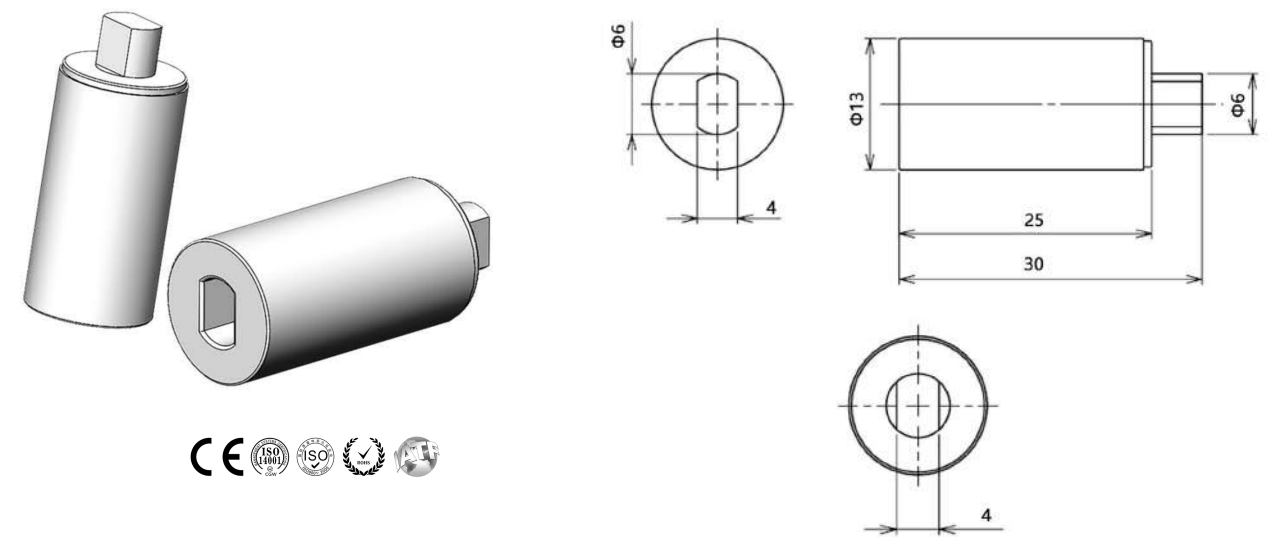
JP-D0200401-Two way(Φ16.3mm)



Torque at 20rpm 15±3N.cm

Static Storage Temperature	Dynamic Working Temperature	Body Material	Shaft Material	Oil
-30°C-90°C	-5°C-50°C	POM	POM	Silicone Oil

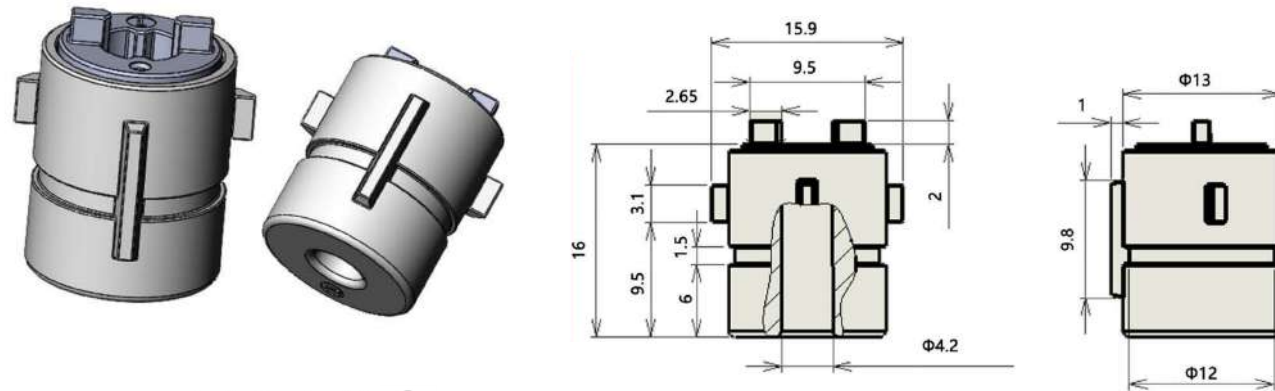
JP-D0200101-Two way(Φ13mm)



Torque at 20rpm 10-35N.cm

Static Storage Temperature	Dynamic Working Temperature	Body Material	Shaft Material	Oil
-30°C-90°C	-5°C-50°C	PC	POM	Silicone Oil

JP-D0201001J-Two way(Φ13mm)



Torque at 20rpm 5-11N.cm

Static Storage Temperature	Dynamic Working Temperature	Body Material	Shaft Material	Oil
-30°C-90°C	-5°C-50°C	POM	POM	Silicone Oil

JP-DY08A-Two way(Φ 8mm)



Torque 100-300 GF.CM

Static Storage Temperature	Dynamic Working Temperature	Body Material	Shaft Material	Oil
-40°C-80°C	-5°C-50°C	PBT+GF	POM	Silicone Oil