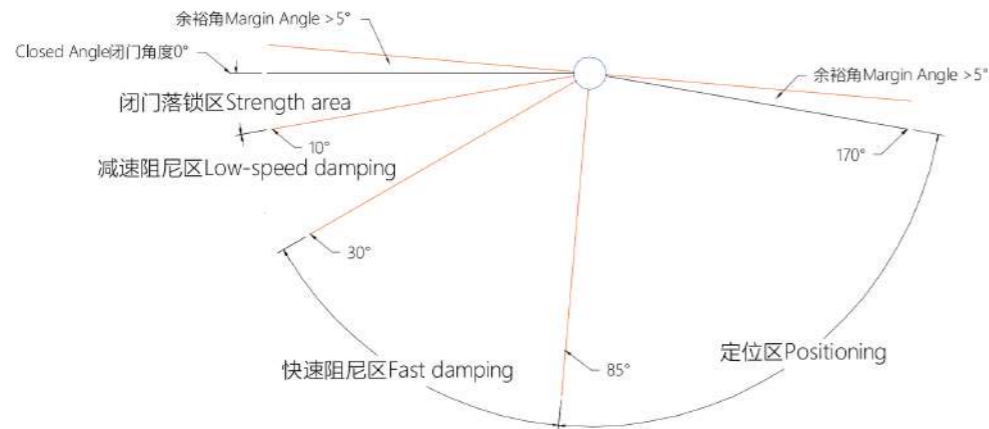
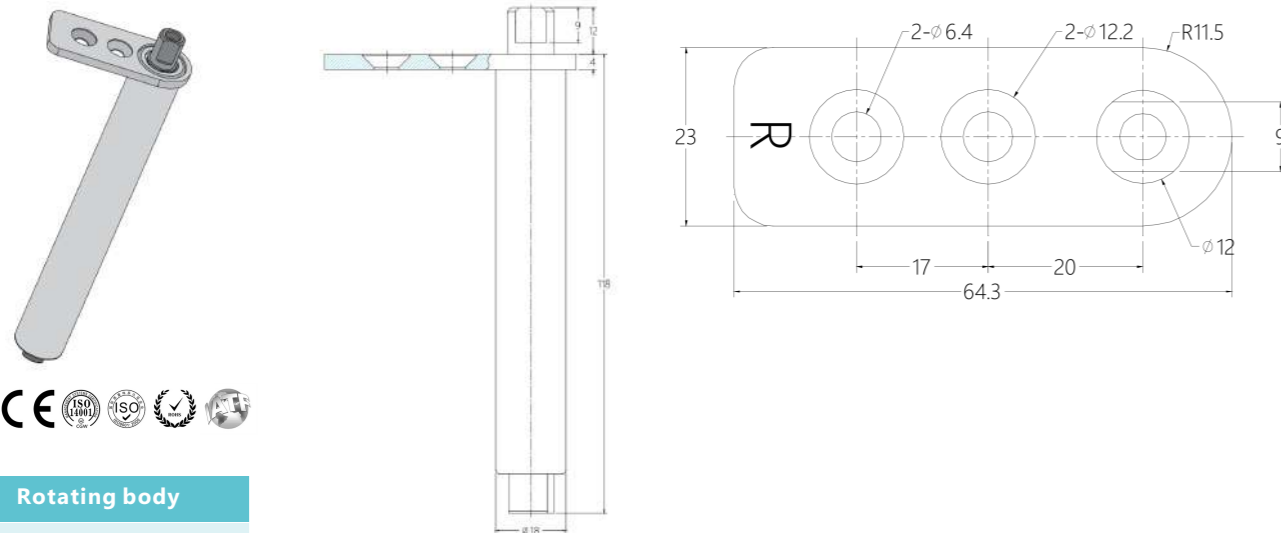


## Hydraulic damper

Hydraulic door closing device is a multi-functional hydraulic damping system with door body turnover control. The product sets flat opening positioning, automatic closing, hydraulic buffering, damping ant-clamping, force locking and other functions, so that the door control hardware system is highly integrated.



### JP-BM18A-One way ( $\Phi 18\text{mm}$ )

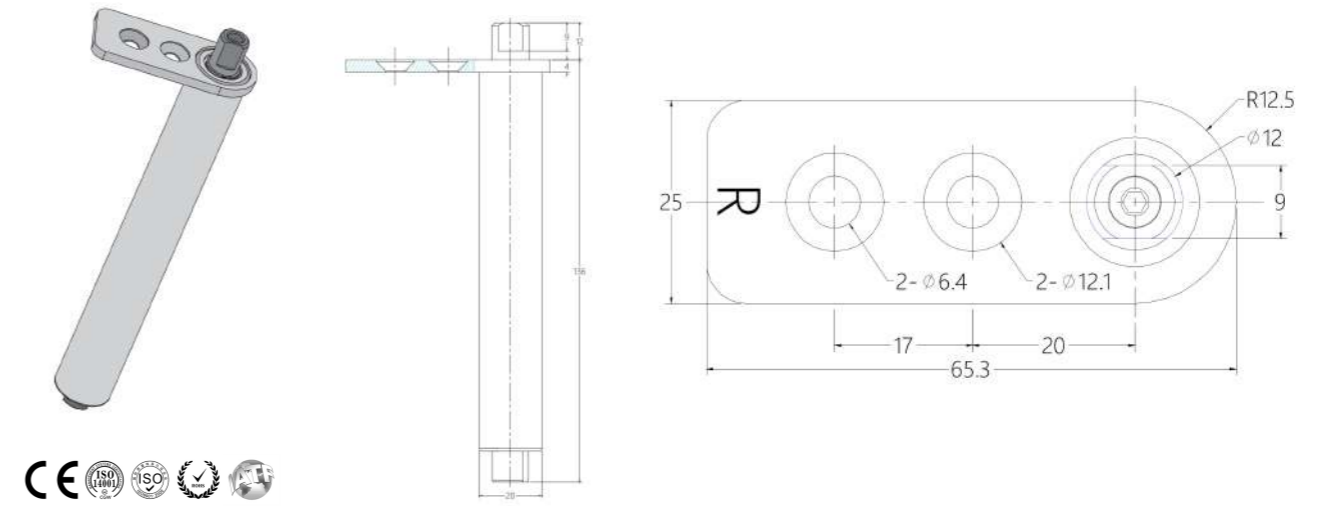


Rotating body

20 KG

Working Angle	Static Storage Temperature	Dynamic Working Temperature	Body Material	Shaft Material	Oil
150°	-20°C - 90°C	-10°C - 60°C	Zinc	Zinc	Silicone Oil

### JP-BM20A-One way ( $\Phi 20\text{mm}$ )

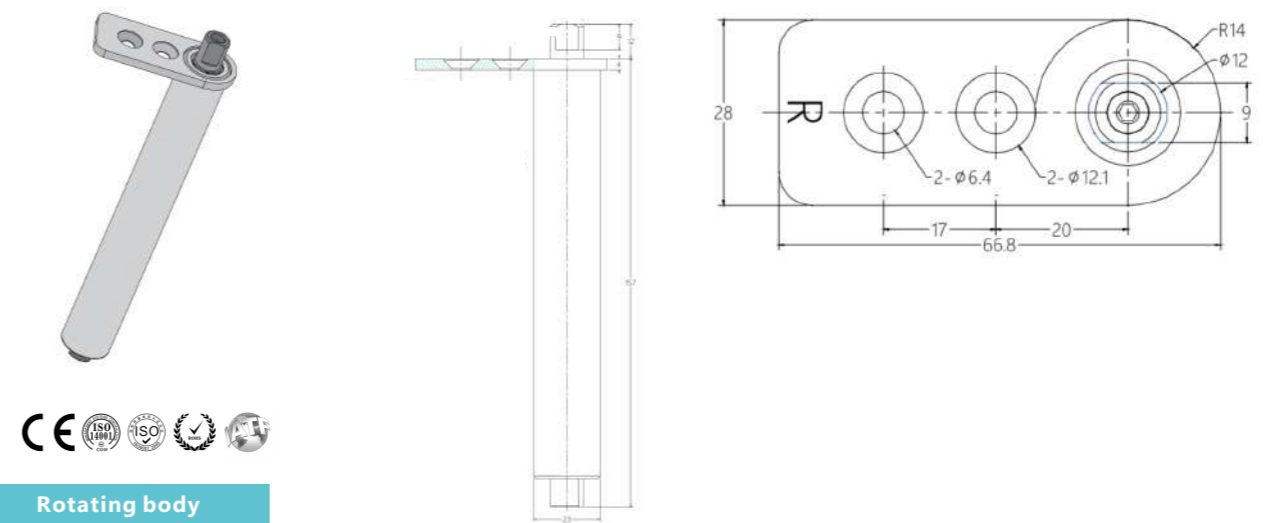


Rotating body

25 KG

Working Angle	Static Storage Temperature	Dynamic Working Temperature	Body Material	Shaft Material	Oil
150°	-20°C - 90°C	-10°C - 60°C	Zinc	Zinc	Silicone Oil

### JP-BM23A-One way ( $\Phi 23\text{mm}$ )



Rotating body

35 KG

Working Angle	Static Storage Temperature	Dynamic Working Temperature	Body Material	Shaft Material	Oil
150°	-20°C - 90°C	-10°C - 60°C	Zinc	Zinc	Silicone Oil