

Latch

Peir



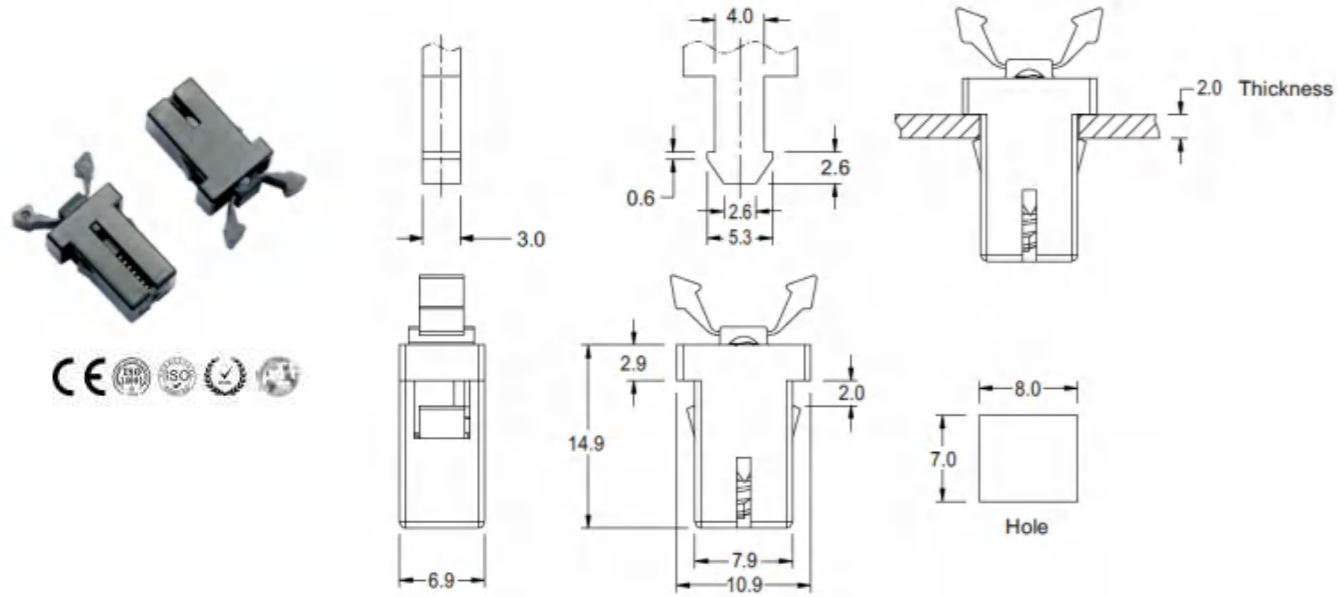
MOTION CONTROL EXPERT

- Rotary Damper
- Gas Spring
- Linear Damper
- **Latch**

Small Parts Play A Big Role

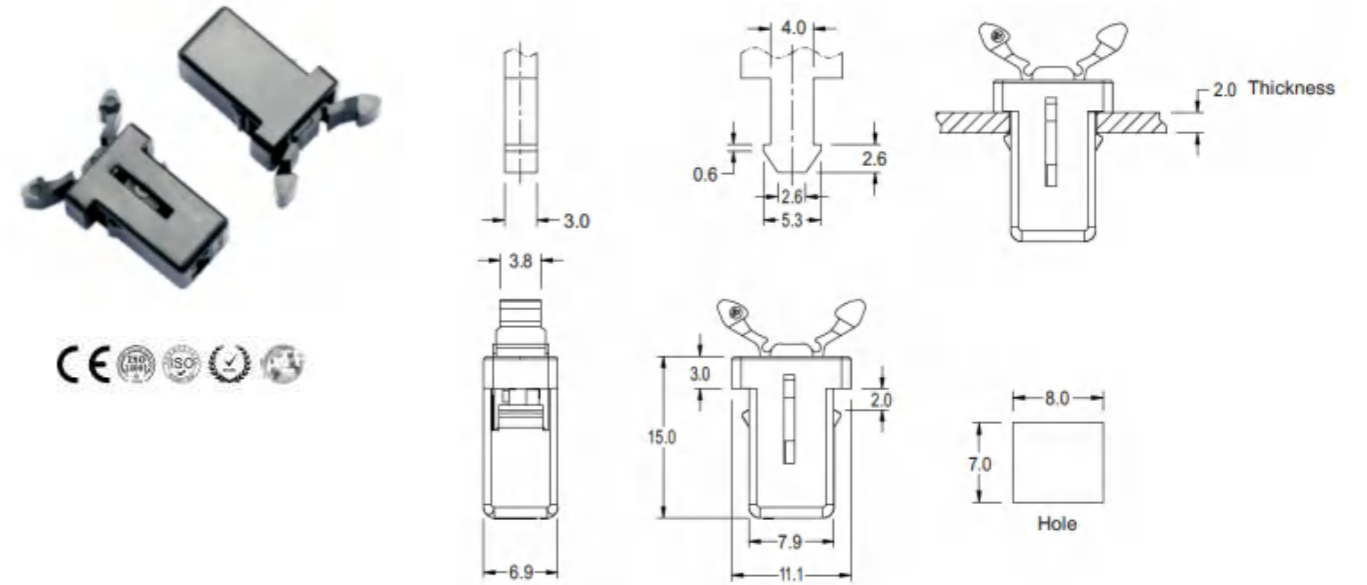
www.peirdamper.com

JP-HL-1



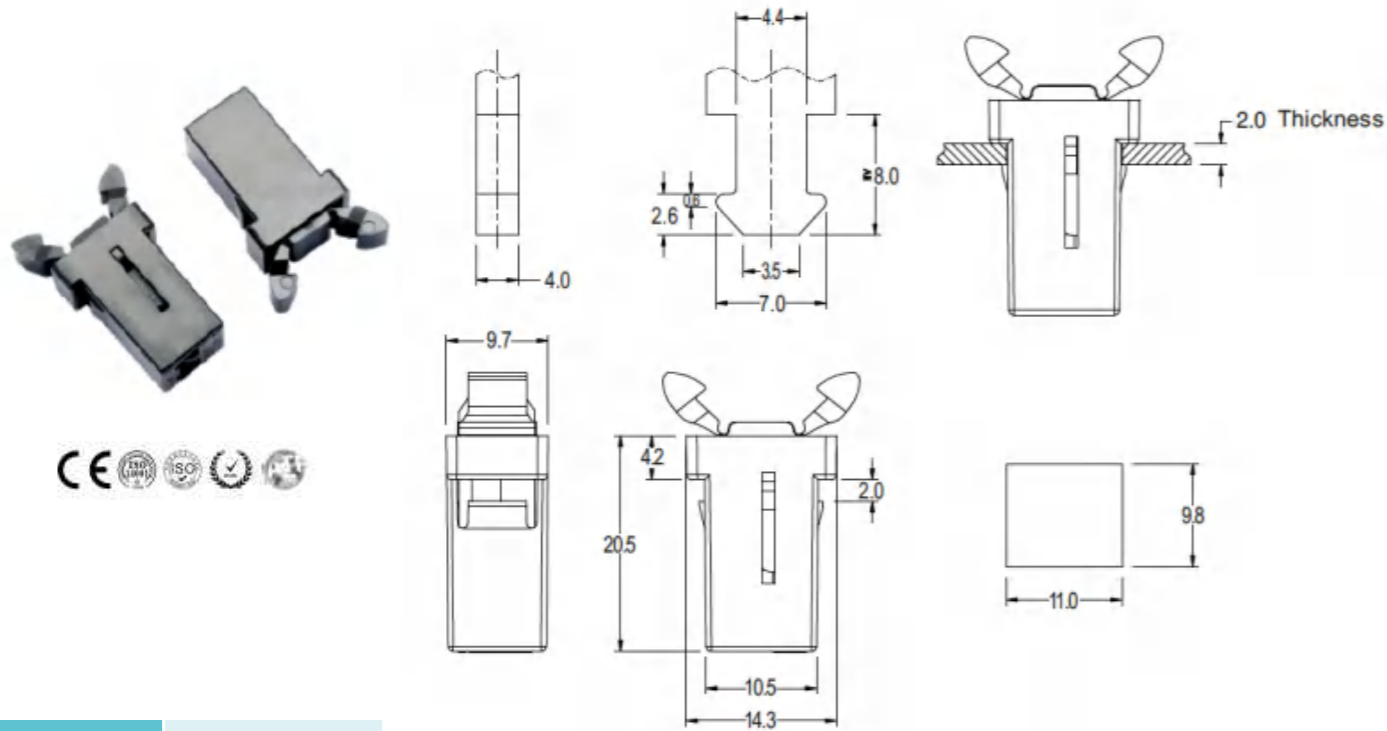
Material POM/ PA66/ SUS

JP-PL-2



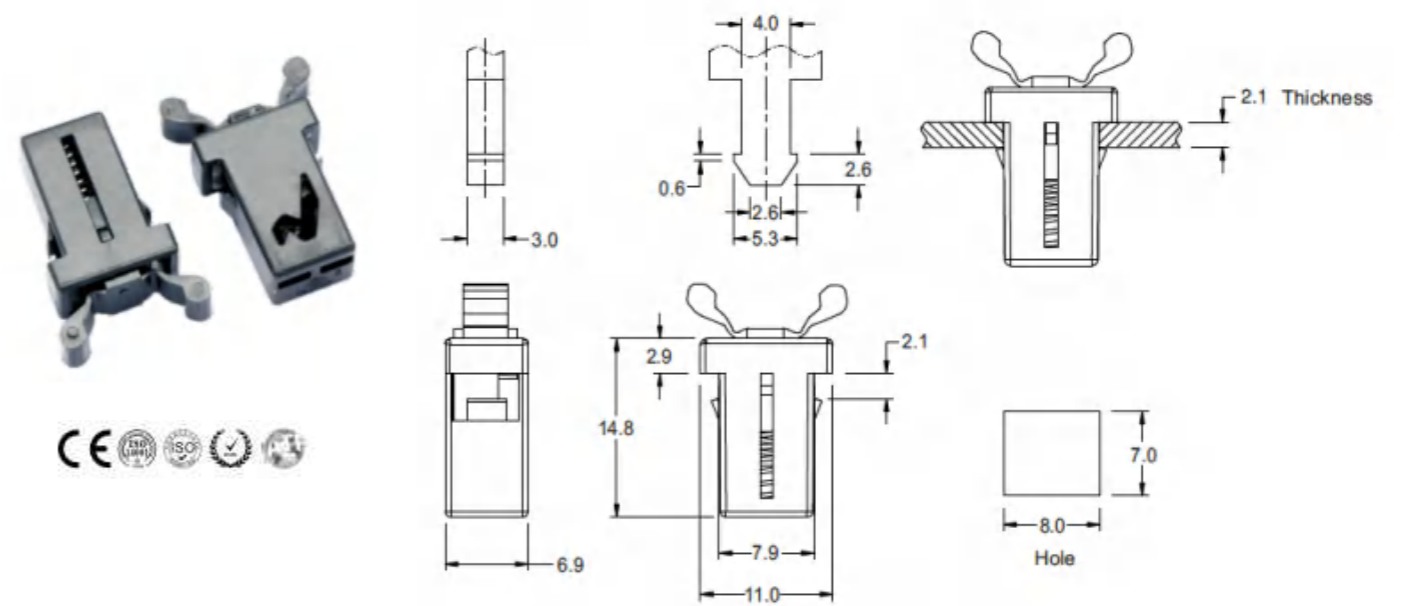
Material POM/ PA66/ SUS

JP-DL-13



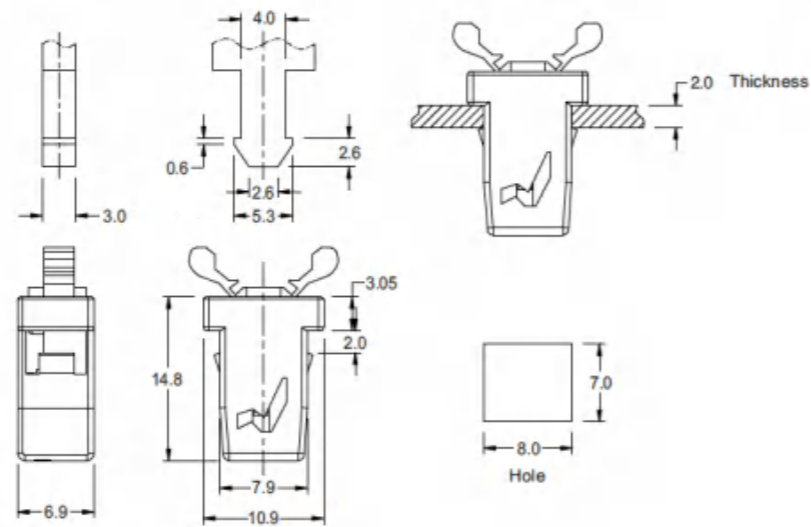
Material POM/ PA66/ SUS

JP-DL-100



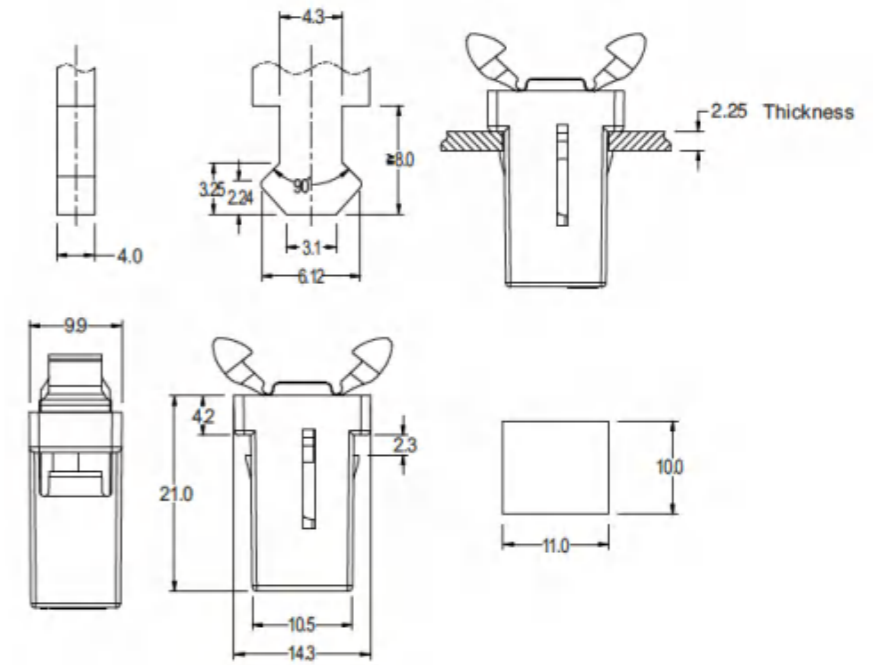
Material POM/ PA66/ SUS

JP-DL-400



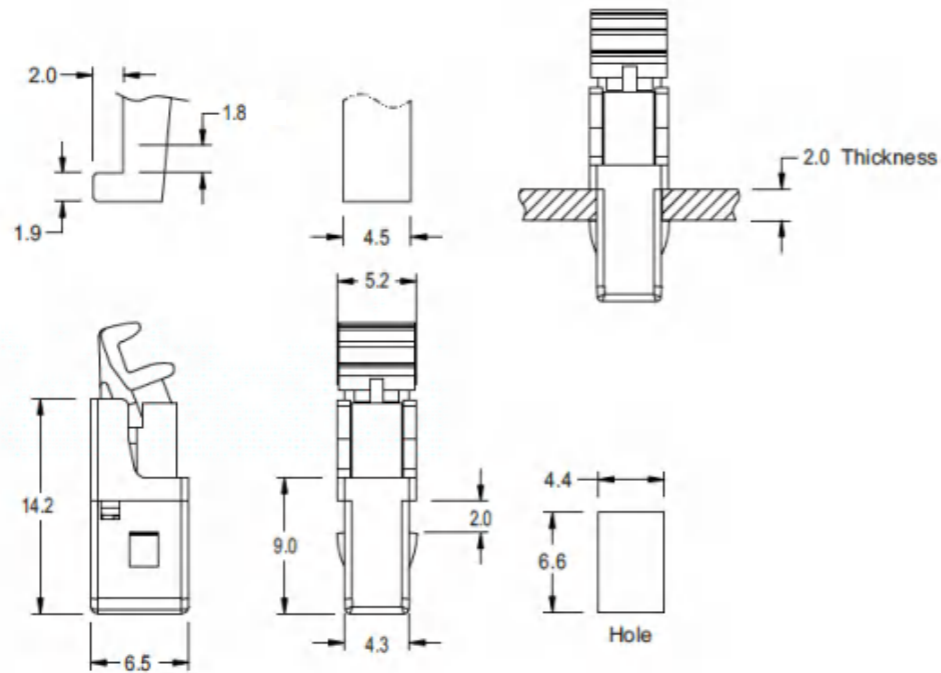
Material POM/ PA66/ SUS

JP-PL-17



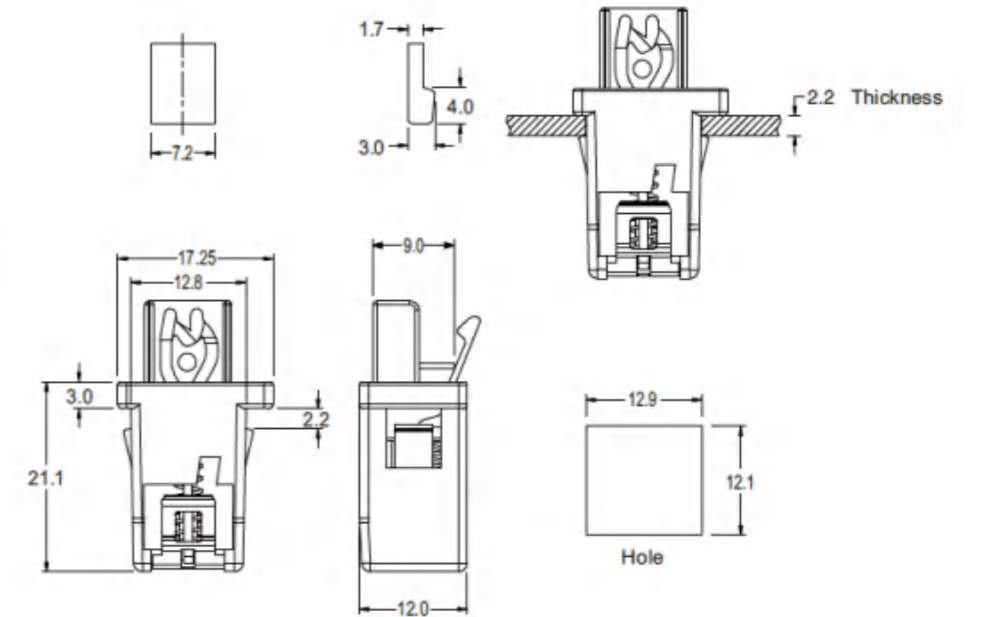
Material POM/ PA66/ SUS

JP-DL-5



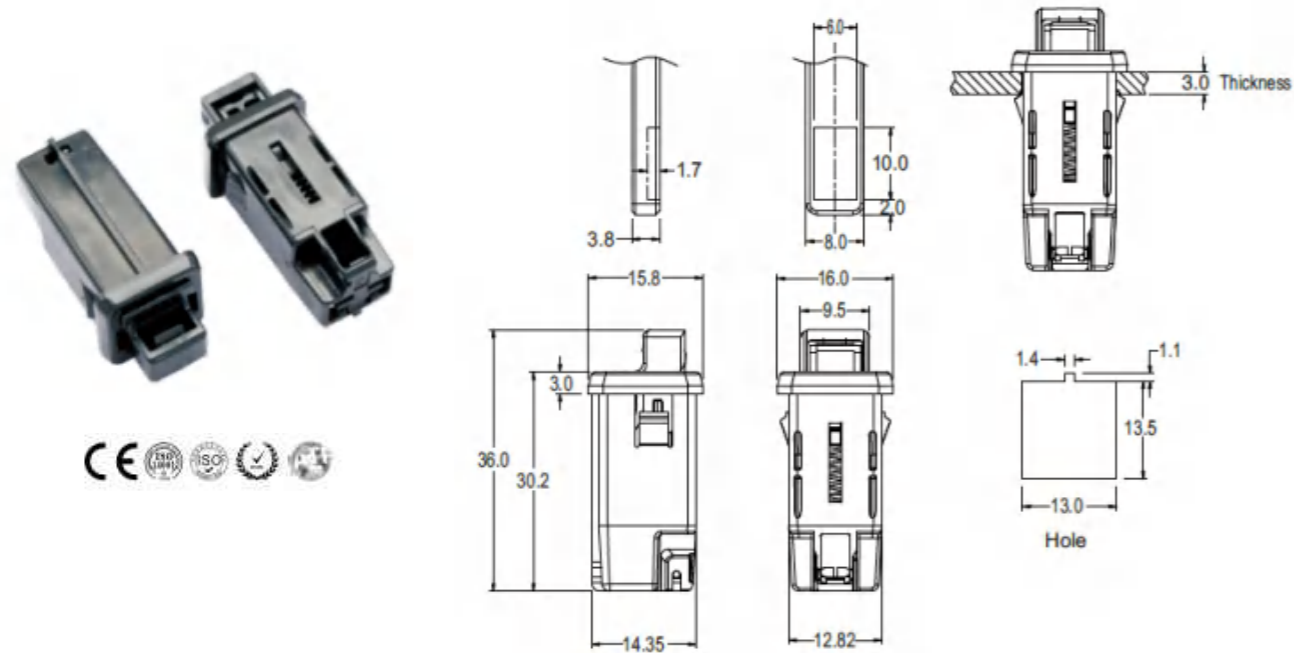
Material POM/ PA66/ SUS

JP-DL-8



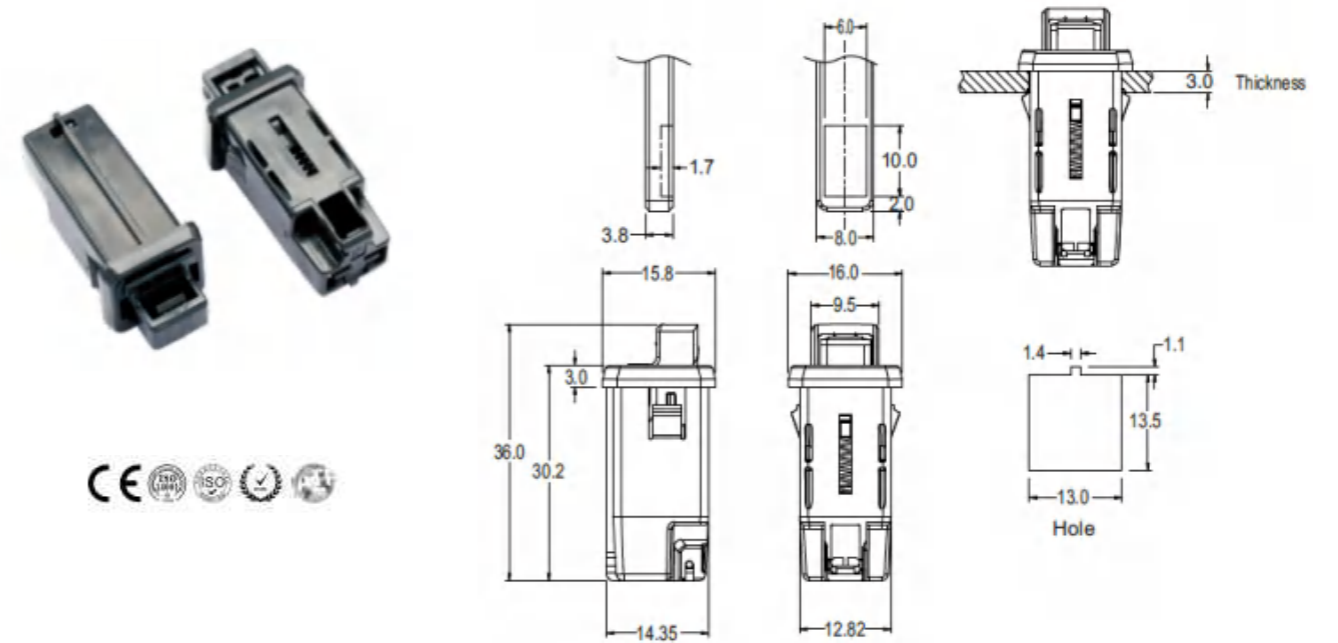
Material POM/ PA66/ SUS

JP-DL-12



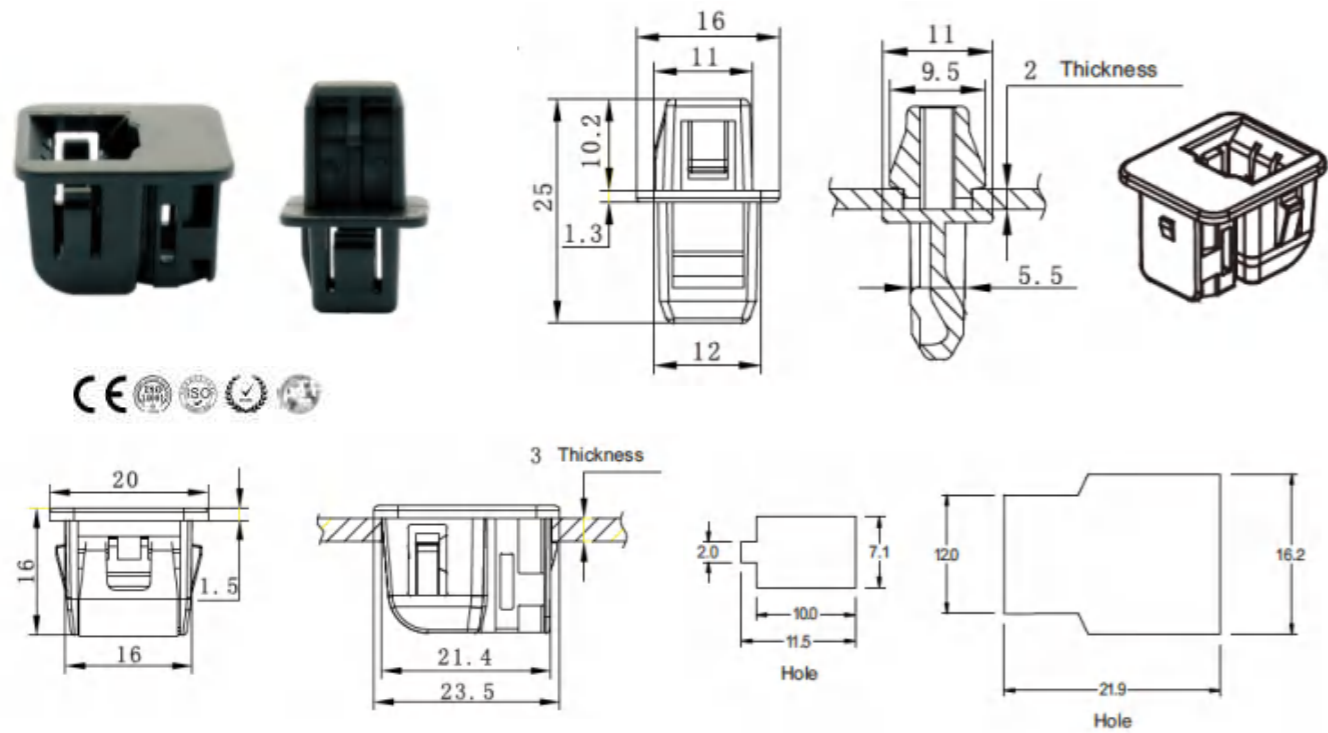
Material POM/ PA66/ SUS

JP-DL-12A



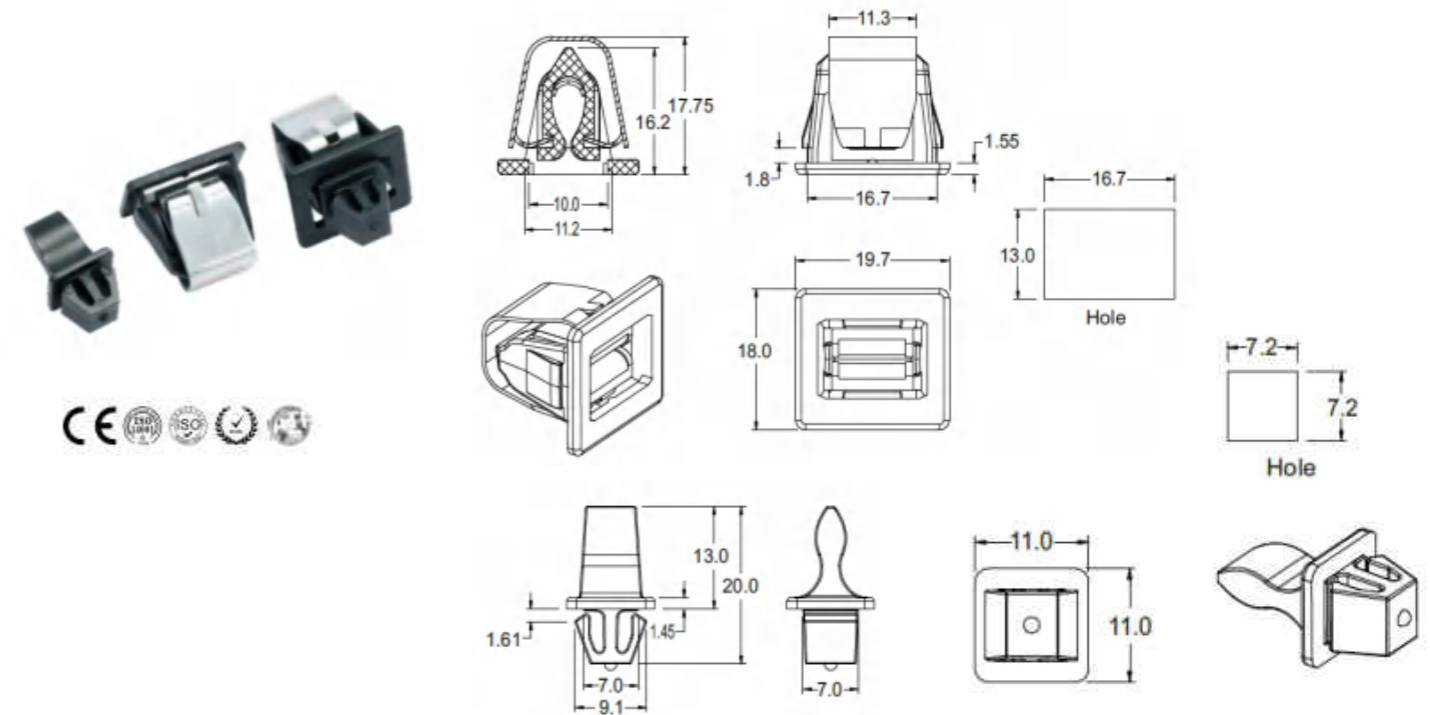
Material POM/ PA66/ SUS

JP-DL-10

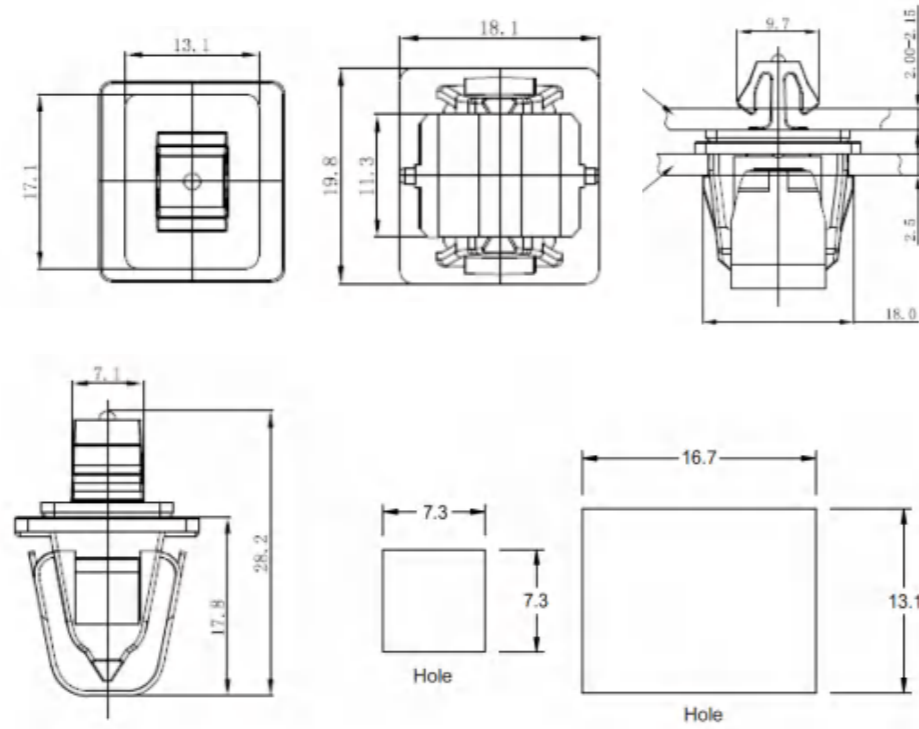


Material PC/ POM/ PA66/ SUS

JP-HBX-01



Material PA66/ Manganese Steel



Product Application



Automotive armrest



Fuel tank cap



Overhead console



Armrest box



Automotive cup holder



Automotive glass case



Cabinet



Kettle



Snack box



Storage box



Tissue box



Trash can

Peir

www.peirdamper.com



*Dongguan/Shanghai/Yangzhou,
China*



HongKong/Shenzhen, China

Rep



Greater Noida, India

Rep



São paulo, Brazil

Rep



Chihuahua Mexico

Rep



North Carolina, USA

